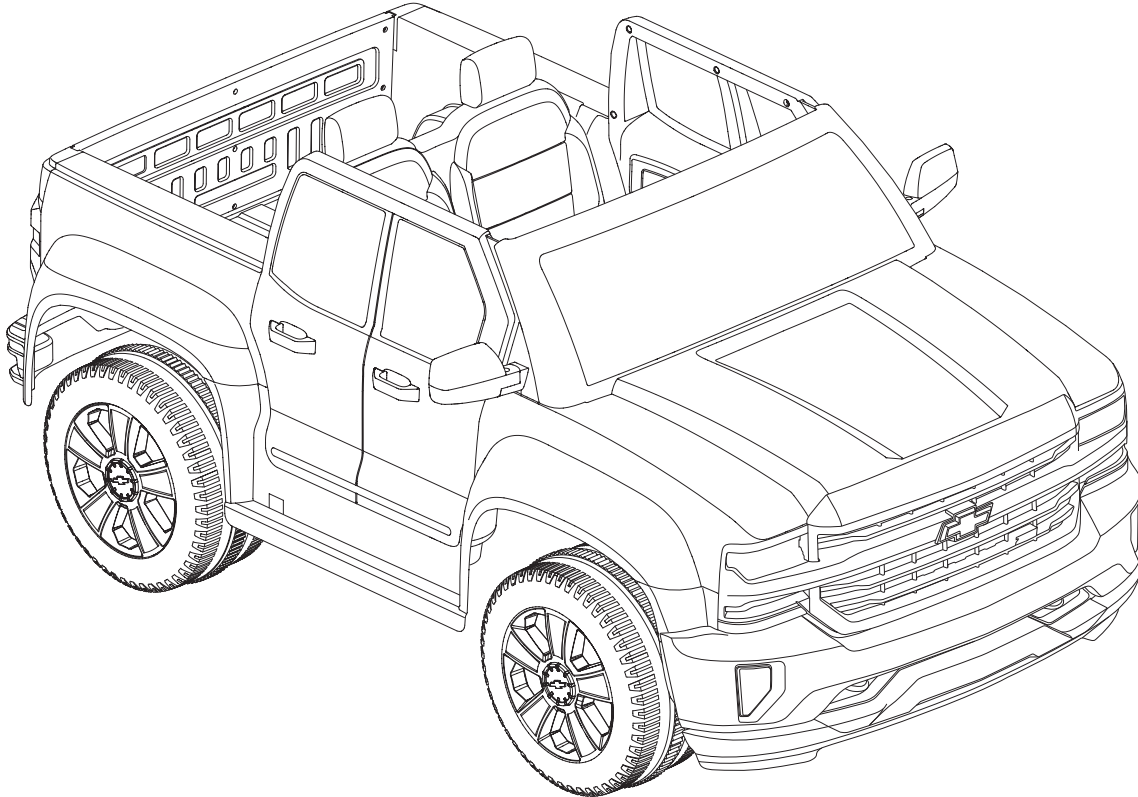




12V Chevy Silverado



Owner's Manual and Assembly Instructions (2-Person Assembly Recommended)

Model #: W461P-01, W461P-02, W461P-03, W461P-04, W461-P-F-TL

Read and understand the entire manual before assembly and operation. The vehicle must be assembled by an adult who has read and understands the instructions.

Made in China.

Styles and colors may vary. Do not return to store. Call 1-888-982-9309 for assistance and replacement parts.

IMPORTANT:

Save this manual with your sales receipt.



Scan here
to view the
assembly video

Introduction

Thank you for purchasing this vehicle from Rollplay. We hope the rider enjoys it for miles to come. Please read this instruction guide carefully before assembling and operating the vehicle. Please have your model number and serial number ready before calling. Please have proof of purchase. Keep your sales receipt and register your product at www.rollplay.com.

Please contact Rollplay Customer Service with any questions.

Hours: 9 AM - 5 PM (CST), Monday - Friday

Phone: 1-888-982-9309

Email: customerservice@rollplay.com

Web: www.rollplay.com

Specifications:

BATTERY	12V 12AH
MOTOR	12V
AGE	3 Years and Up
MAX WEIGHT	59 kg (130 lb)
PRODUCT SIZE	156.5 x 90 x 71 cm 61.61 x 35.43 x 27.95 in
SPEED	4 - 8 km/h 2.5 MPH - 5 MPH (Preset at 4km/h 2.5 MPH)
RECHARGE TIME	8-12 Hours
TYPICAL RUN TIME	1-2 Hours
CHARGER OUTPUT	DC 12.0V 1A

IMPORTANT!

**YOU MUST CHARGE THE BATTERY
FOR 24 HOURS BEFORE FIRST USE!**

Charge the battery after each use.

Charge the battery at least once a month, even if the vehicle is not in use.

**DO NOT RETURN THIS ITEM
TO THE STORE!**

Contact Customer Service if you need assistance or replacement parts. Please have your model number and serial number ready before calling. Please have proof of purchase. Keep your sales receipt and register your product at www.rollplay.com as we may require proof of purchase.

customerservice@rollplay.com

1-888-982-9309

**Read this entire manual to ensure
proper assembly and safe operation
of the vehicle.**

Safety	5
Parts	7
Charging Instructions	8
Assemble the Rear Support Bars	9
Install the Rear Support Bars	10
Install the Rear Wheel Axle	11
Install the Gear Boxes	12
Assemble the Rear Wheels	13
Assemble the Front Wheels	14
Attach the Truck Bed	15
Attach the Mirrors	16
Attach the Windshield and Dashboard ..	17
Attach the Steering Rod	18
Assemble the Steering Wheel	19
Attach the Doors	20
Attach the Tailgate	21
Battery Attachment	22
Attach the Seat / Fasten Seatbelt	23
Operation Instructions	24
Maintenance	25
General Care	26
Troubleshooting Guide	27
FCC Information	29
Service and Repairs	30
Warranty	31
Product Registration	32



WARNING: SAFETY RIDING RULES

PREVENT INJURIES AND DEATHS:

NEVER LEAVE CHILD UNATTENDED. ALWAYS keep child in view when child is in vehicle. Direct adult supervision is **REQUIRED**.

NEVER use on roadways, near cars, on or near steep inclines or steps, swimming pools or other bodies of water.

ALWAYS wear shoes.

ALWAYS sit on the seat.

NEVER allow more than (2) riders in the vehicle.

RISK OF FIRE. Do not bypass.

The user must follow all safety rules and guidelines, or serious injury or death may occur to the user.

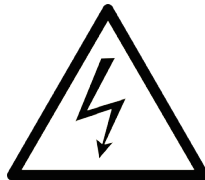
- Always use common sense and safe practices when using the vehicle.
- This product contains small parts that are for adult assembly only. Keep small children away when assembling. Remove and dispose of all protective material and plastic bags before assembly.
- Riders must always wear a fitted helmet that complies with U.S. Consumer Product Safety Commission (CPSC) Standard 16 CFR 1203.
- Do not overload the vehicle. Do not remove the weight restriction decals.
- Do not pull the vehicle with another vehicle or similar device.
- Keep body parts such as hands, legs, hair and clothing away from moving parts. Moving parts can cause serious injury.
- Always wear shoes in the vehicle.
- Do not operate near streets or motor vehicles.
- Do not operate near drop-offs such as steps, steep inclines or hills. Operate on relatively level ground.
- Do not operate near water, swimming pools or other fluids.
- Do not operate in dangerous weather conditions such as rain or snow.
- Do not operate near loose dirt, mud, sand or fine gravel.
- Do not operate near flammable vapors (gasoline, paint thinner, acetone, etc.).
- Always use the vehicle in a safe, secure environment with adult supervision.
- Remove batteries if product is to be left unused for a long time; Always replace the whole set of batteries at one time; Do not mix old and new batteries; Do not mix alkaline, standard (carbon-zinc) or rechargeable (nickel-cadmium) batteries.

**WARNING: BATTERY SAFETY**

- Battery posts, terminals and related accessories contain lead and lead compound chemicals known to the state of California to cause cancer, reproductive harm, and are toxic and corrosive. DO NOT open the battery.



- Contact exposure to battery leakage (lead acid) may cause serious injury. Immediately contact your doctor if exposure occurs. If the chemical is on the skin, flush immediately with cool water for 15 minutes. If the chemical is swallowed, immediately give the person water or milk. Do not give water or milk if the person is vomiting or has decreased alertness. Do not induce vomiting.

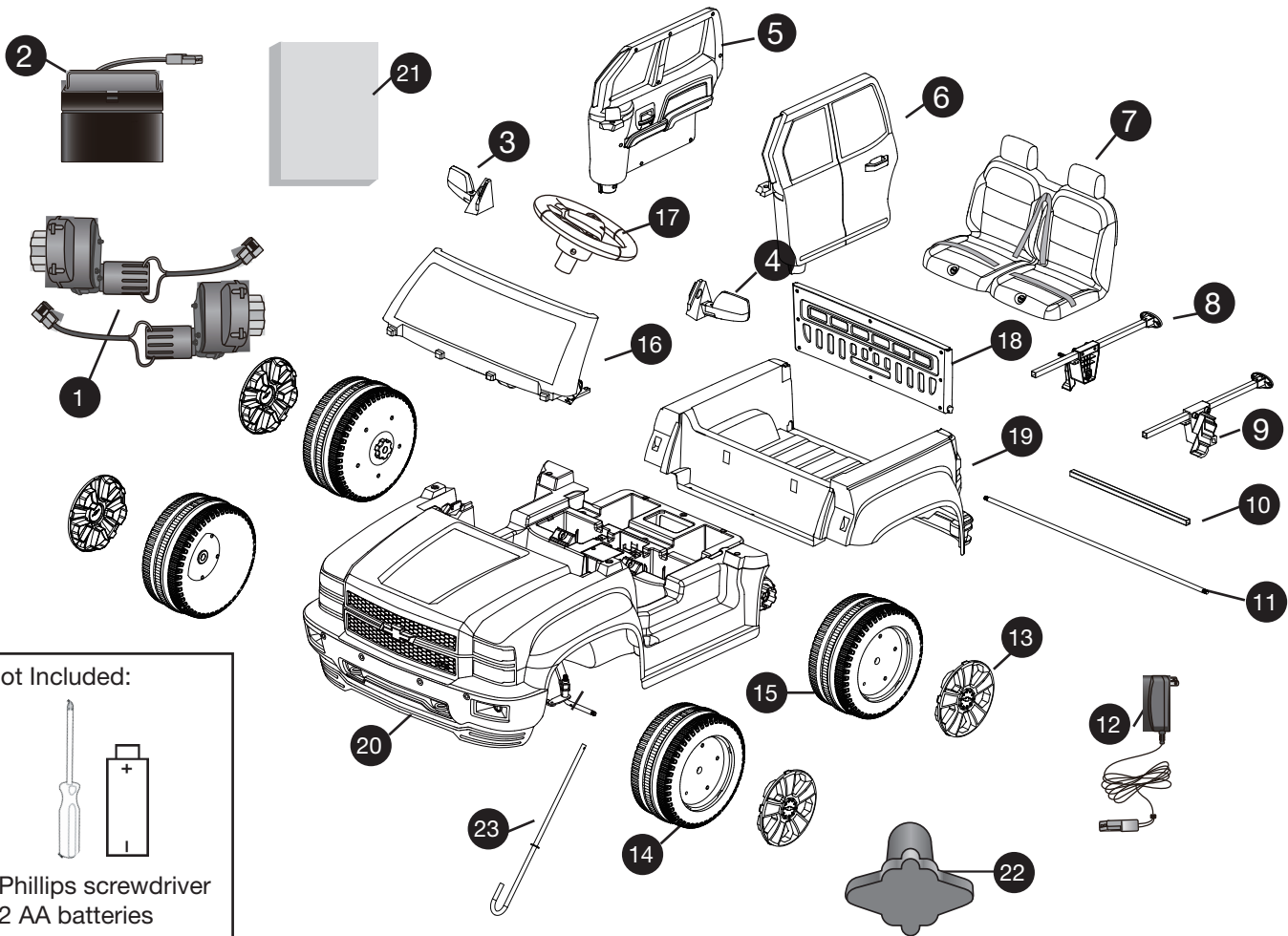


- Tampering with or modifying the electric circuit system may cause shock, fire or explosion. It could permanently damage the system. Keep the charger housing closed to prevent exposed wiring, which may cause electric shock.

IMPORTANT: Before using the vehicle for the first time, the battery must be charged for a full 24 hours (no more than 30 hours).

**WARNING: ADULT SUPERVISION REQUIRED**

- Before using the vehicle, the rider must understand the vehicle controls and safety issues.
- It is the responsibility of the adult to educate the child and to determine if the child is capable of understanding the vehicle controls.
- An adult must ALWAYS directly supervise the use of this vehicle.
- NEVER leave a child unsupervised in the vehicle.

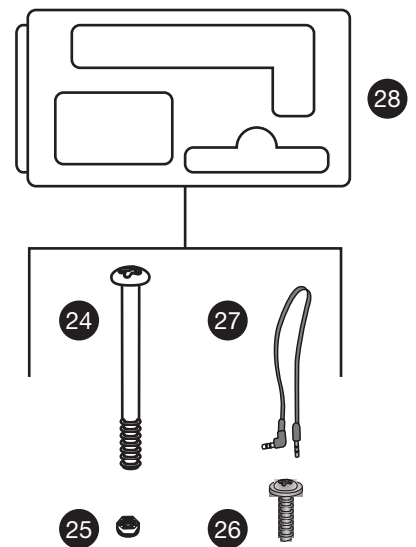


Not Included:

- Phillips screwdriver
- 2 AA batteries

1. Gear Box (x 2)
2. 12V Battery
3. Right Mirror
4. Left Mirror
5. Right Door
6. Left Door
7. Seat
8. Right Support Bar (R)
9. Left Support Bar (L)
10. Support Lateral Bar
11. Rear Axle
12. Battery Charger
13. Wheel Covers (x 4)
14. Front Wheels (x 2)

15. Rear Wheels (x 2)
16. Windshield & Dashboard
17. Steering Wheel
18. Tailgate
19. Truck Bed
20. Truck Body
21. Manual
22. Hex Wrench
23. Steering Rod
24. Steering Wheel Screw
25. Steering Wheel Nut
26. Screws (x 19)
27. MP3 Cable
28. Blister Pack



Helpful Tip:

1. Parts 24-27 are located in the blister pack
2. Spare parts: Screws (2)

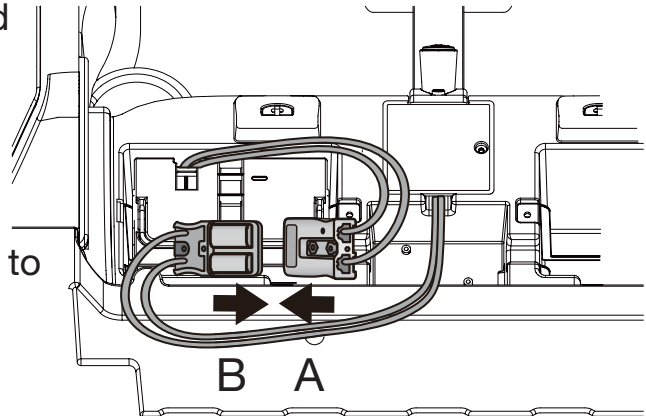
8 Charging Instructions

YOU MUST CHARGE THE BATTERY FOR 24 HOURS BEFORE THE FIRST USE!

ONLY AN ADULT SHOULD HANDLE THE BATTERY AND CHARGER.

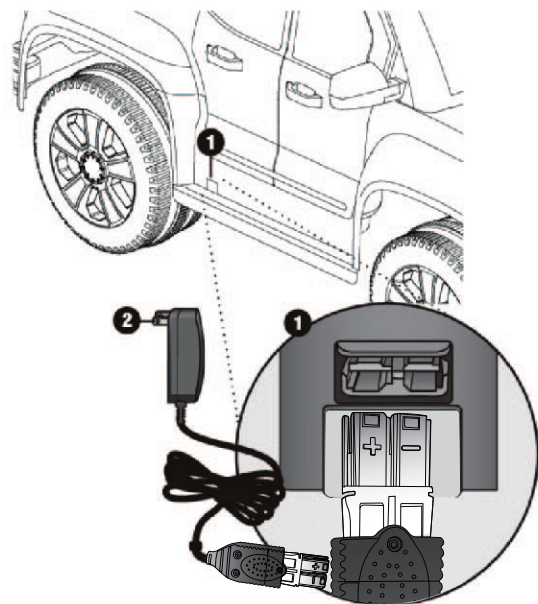
Connect the Battery:

1. Ensure the vehicle is stopped and turned off.
2. Unlock and remove the seat.
3. Locate the white battery connector (A) that attaches directly to the battery.
4. Connect the white battery connector (A) to the white battery charger connector (B).
5. Replace the seat.

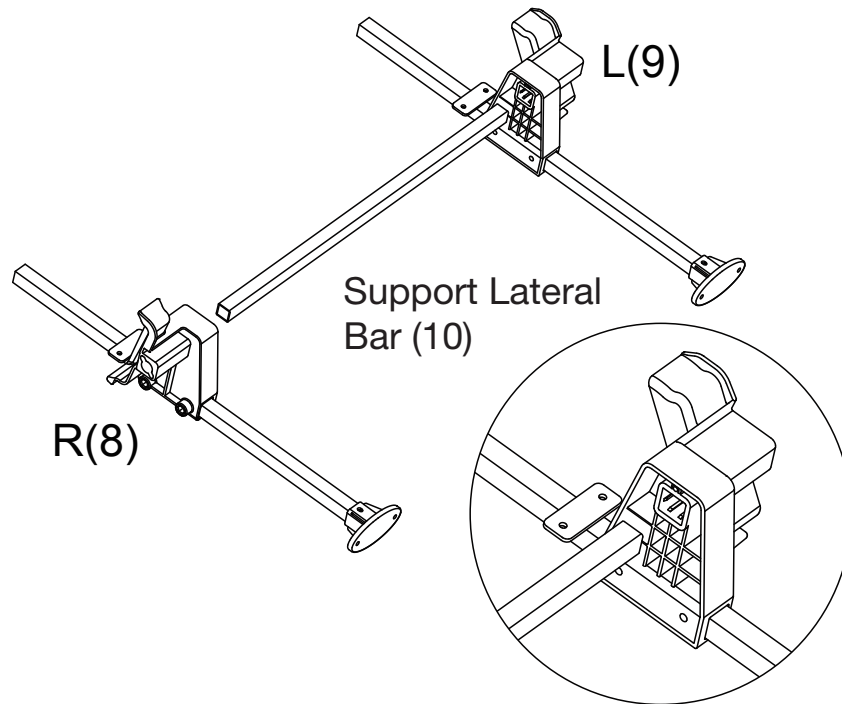


Charge the Battery:

1. The charging station is located on the bottom of the right door (1).
2. Plug in the connector on the charger into the charging station (1).
3. Plug the charger into a 120V outlet (2).
4. Unplug the charger from the outlet when charging is complete.
5. Remove the charger connector from the charging station.



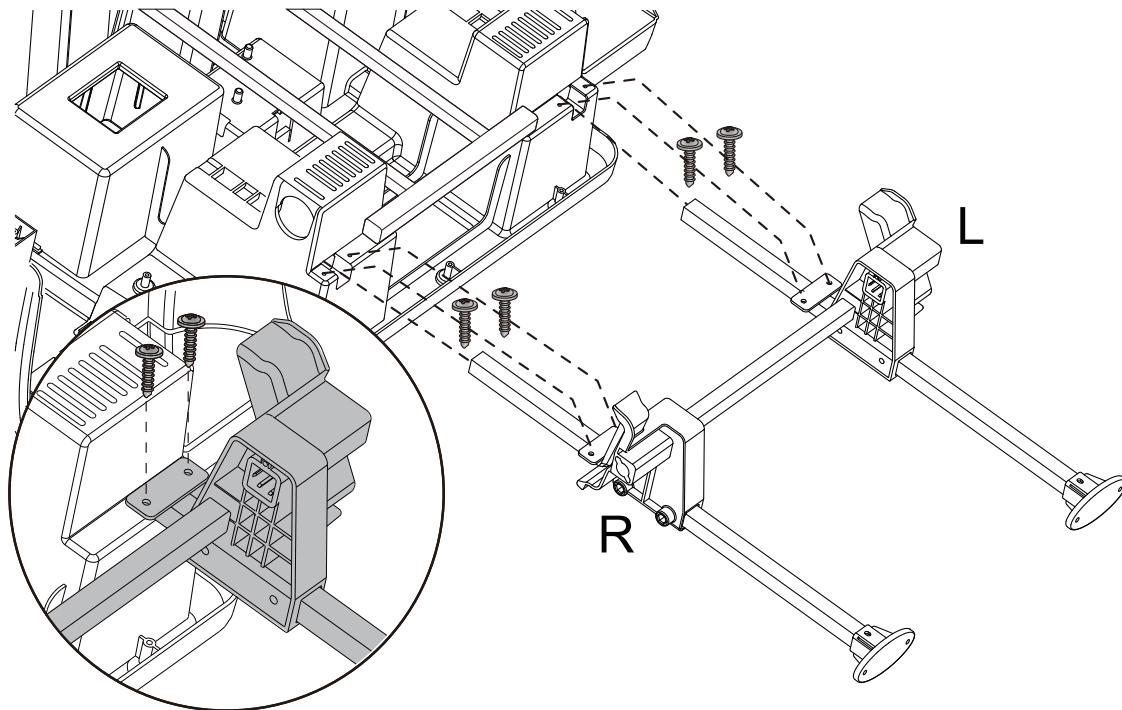
Assemble the Rear Support Bars 9



2-Person Assembly Recommended

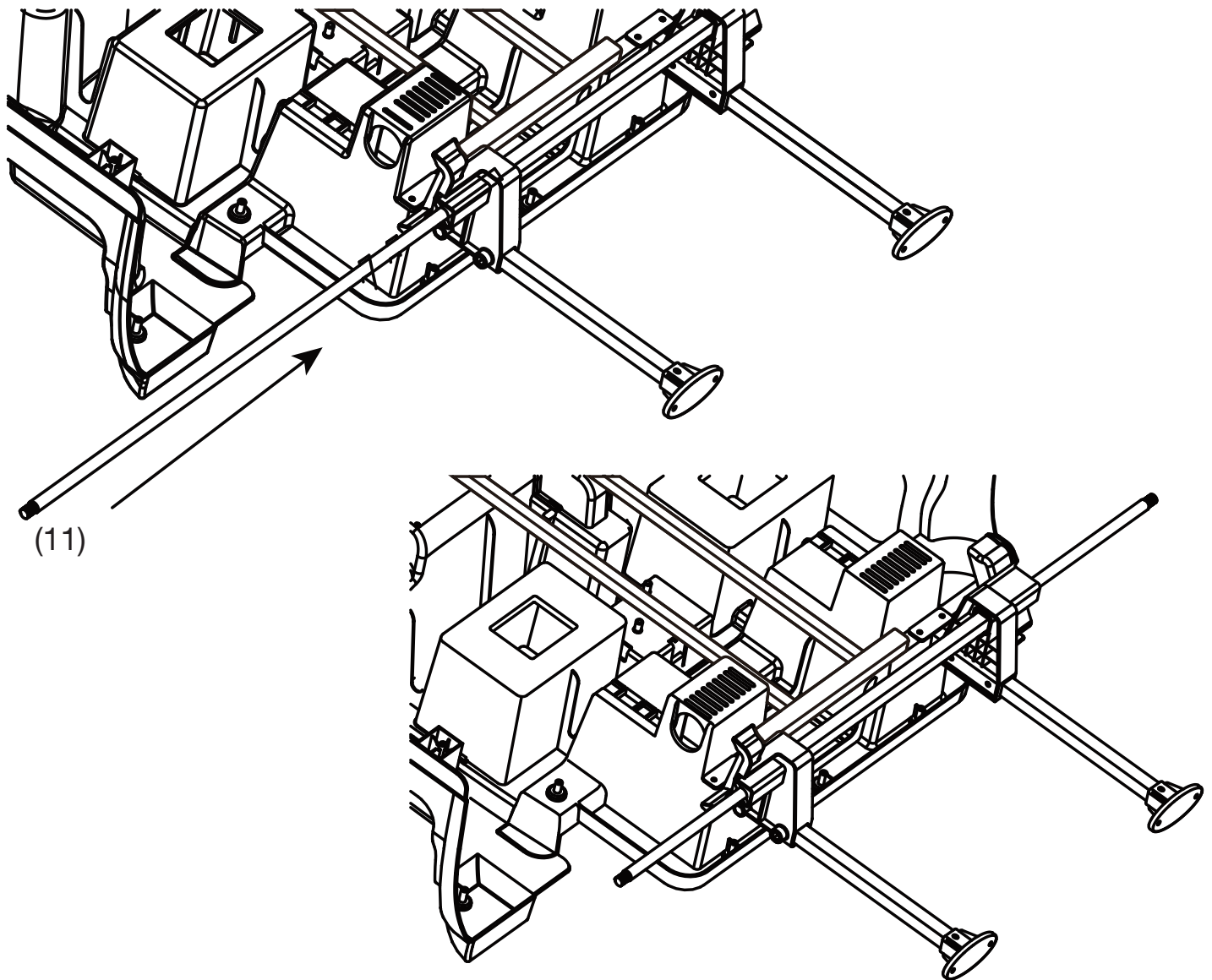
1. Locate the right (8) and left (9) support bars and the support lateral bar (10)
2. Insert the rear support lateral bar (10) into the square slots on the rear support side bars (8,9)
3. Ensure the assembly is secure before moving on to the next step

10 Install the Rear Support Bars



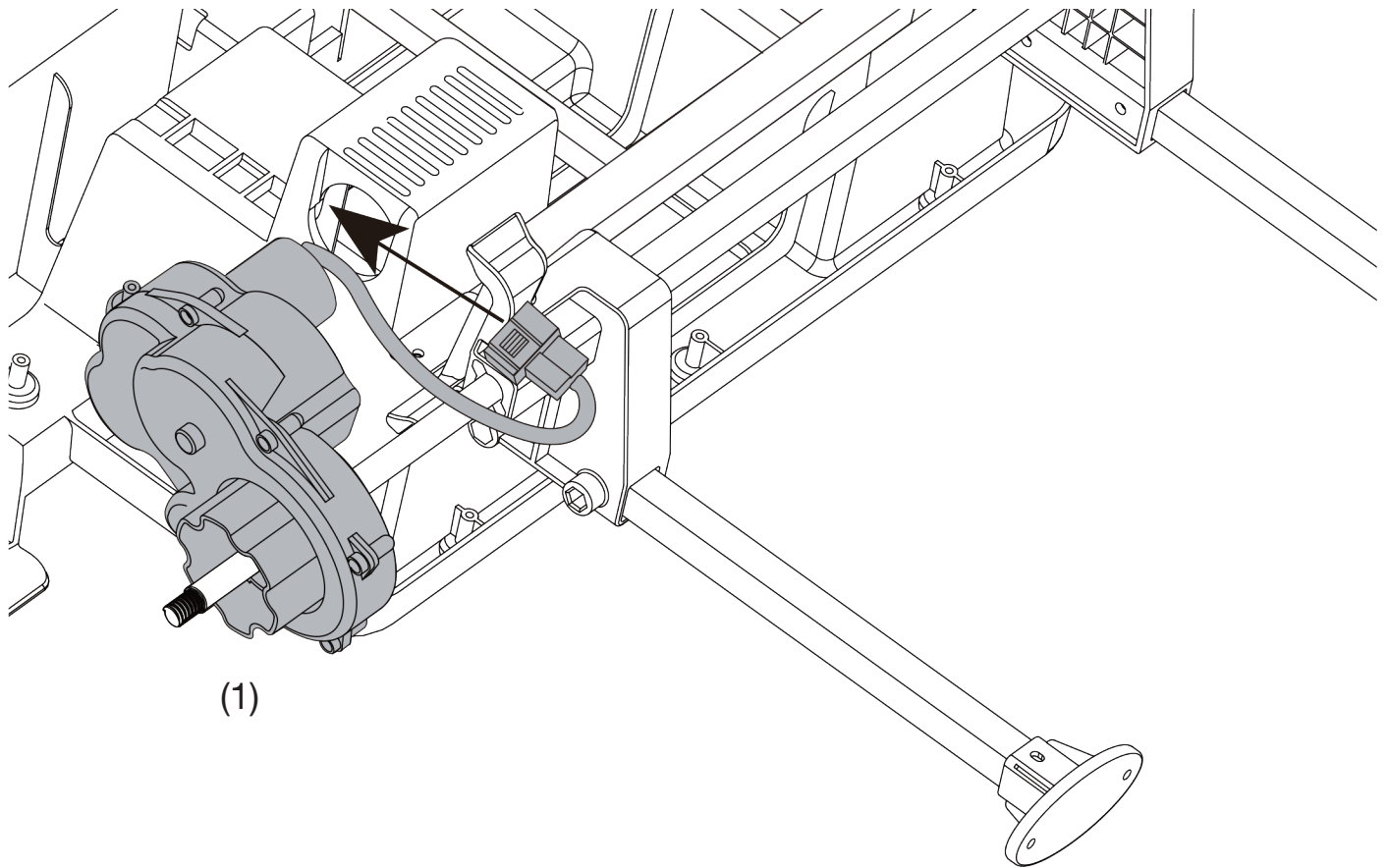
1. Carefully flip the truck body on its back for easier assembly (use a soft surface to avoid any scratches or damage)
2. Slide the assembled rear support bars (8,9,10) into the square holes on the back of the truck body
3. Align the screw holes on the support bars with the holes on the truck body
4. Insert 4 screws (26) from the blister pack into the holes and fasten securely with a screwdriver

Install the Rear Wheel Axle 11



1. Locate the rear wheel axle (11)
2. Remove the nut and washer from both sides of the rear axle
3. Slide the rear axle horizontally through the rear support system as pictured
4. Make sure the axle is centered before and during rear wheel installation

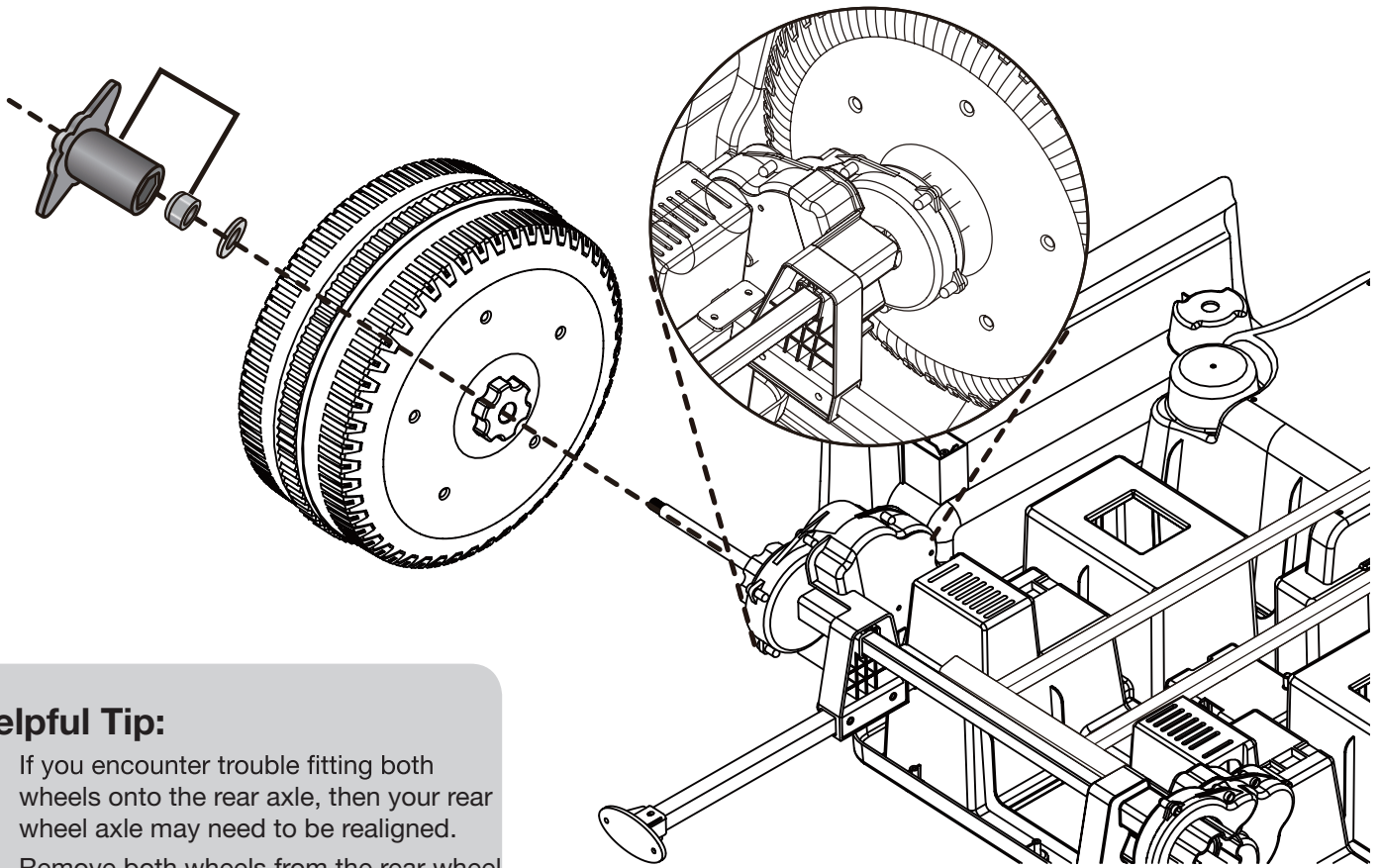
12 Install the Gear Boxes



(1)

1. With the truck body still on its back, locate the two holes on either side of the truck body with the white gearbox connector and yellow gearbox connector
2. Slide the left gear box (1) onto the rear axle with the white gears facing out until it sits completely in the gear box bracket and the silver cylindrical end fits completely into the hole that leads to the battery compartment.
3. Repeat the same steps on the other side of the truck with the right gear box (1)
4. The gearbox wiring connection will be completed on page 15

Assemble the Rear Wheels 13

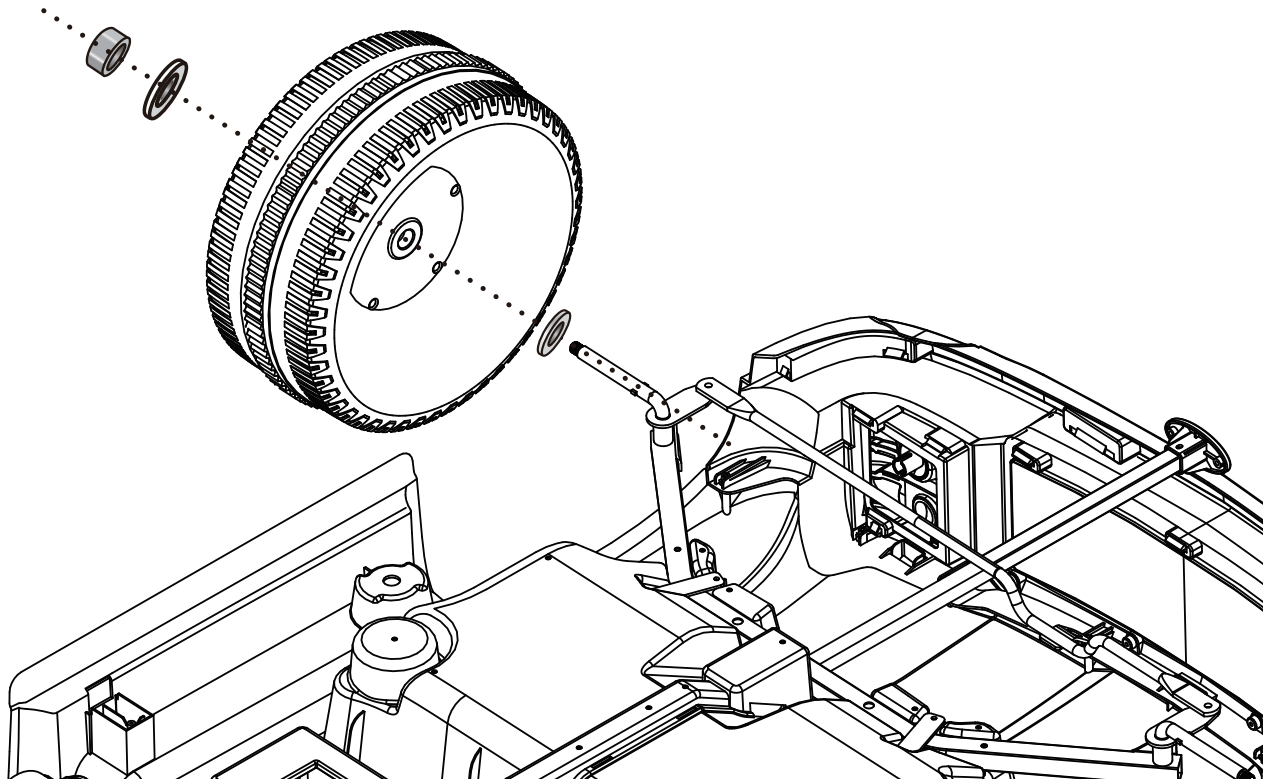


Helpful Tip:

1. If you encounter trouble fitting both wheels onto the rear axle, then your rear wheel axle may need to be realigned.
2. Remove both wheels from the rear wheel axle. Using two hands, push down on the rear wheel axle and slide it gently toward the side of the vehicle that needs more room.

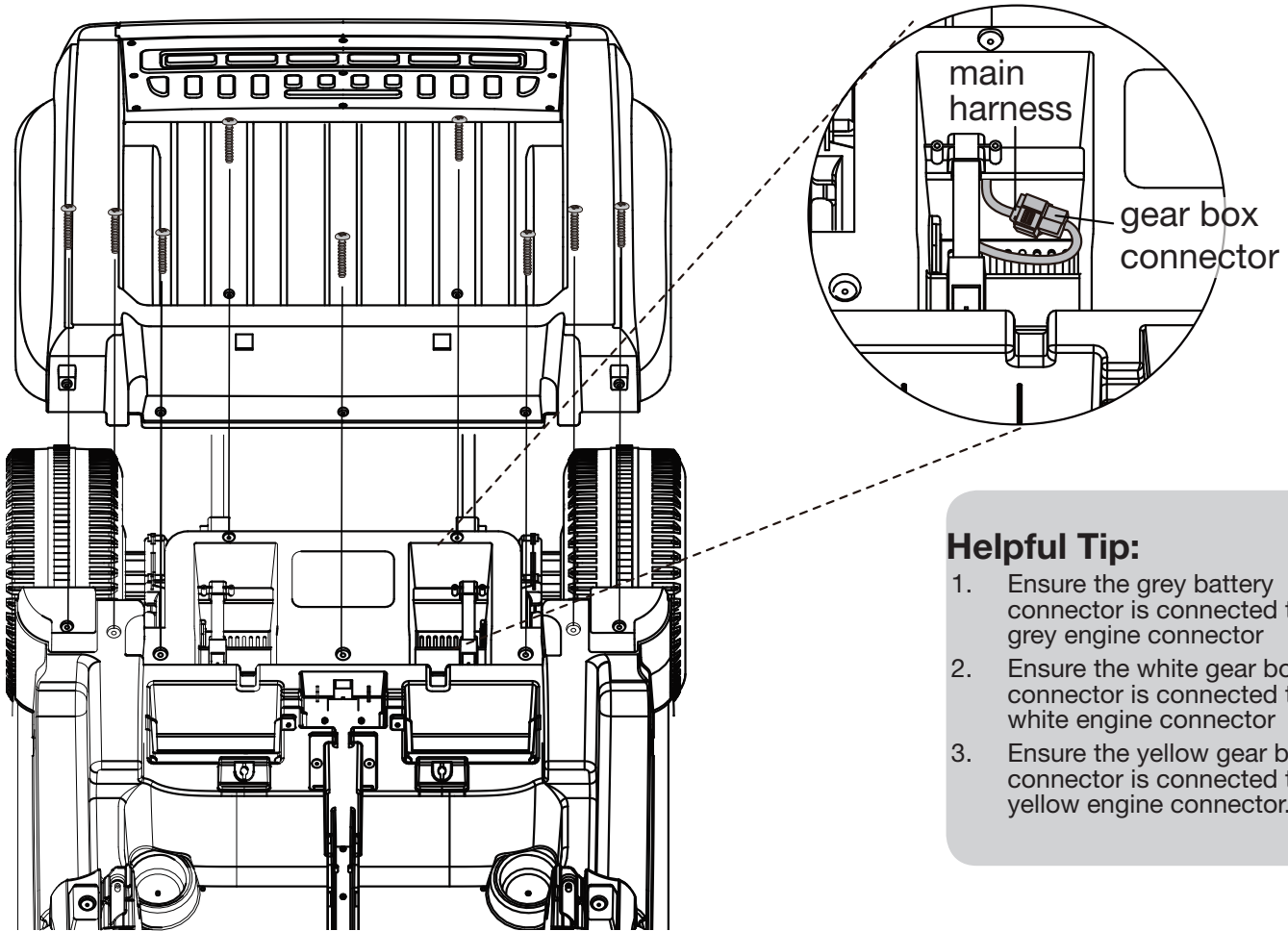
1. With the truck on its back, locate one of the rear wheels (15)
2. Slide the rear wheel onto the axle (11) with the gear teeth facing inward. Align the gear teeth on the wheel with the gear box (1)
3. Slide a washer onto the axle
4. Using the hex wrench (22), fasten the nut on the end of the axle and tighten until you cannot turn the wrench anymore
5. Snap on the wheel cover (13) by aligning the tabs on the cover with the slots on the wheel
6. Repeat steps 1-5 for the other rear wheel (15)

14 Assemble the Front Wheels



1. Slide a thick washer onto the front axle
2. Slide the front wheel (14) onto the front axle. The concave side should face inward
3. Slide the thin washer onto the front axle
4. Using the hex wrench (22), fasten the nut on the end of the axle and tighten until you can not tighten any more
5. Snap on the wheel cover (13) by aligning the tabs on the cover with the slots on the wheel
6. Repeat steps 1-5 for the other front wheel (14)

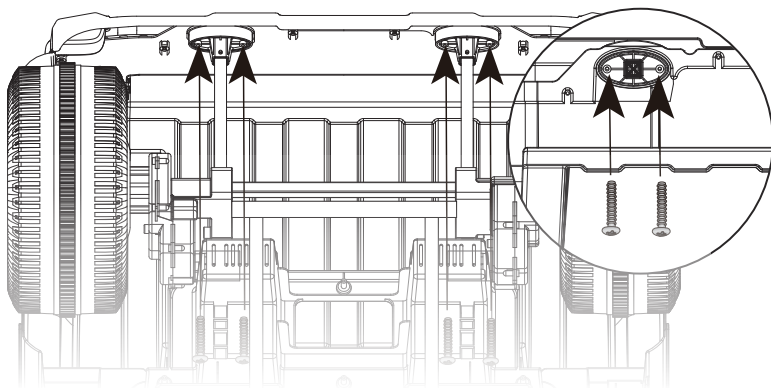
Attach the Truck Bed 15



Helpful Tip:

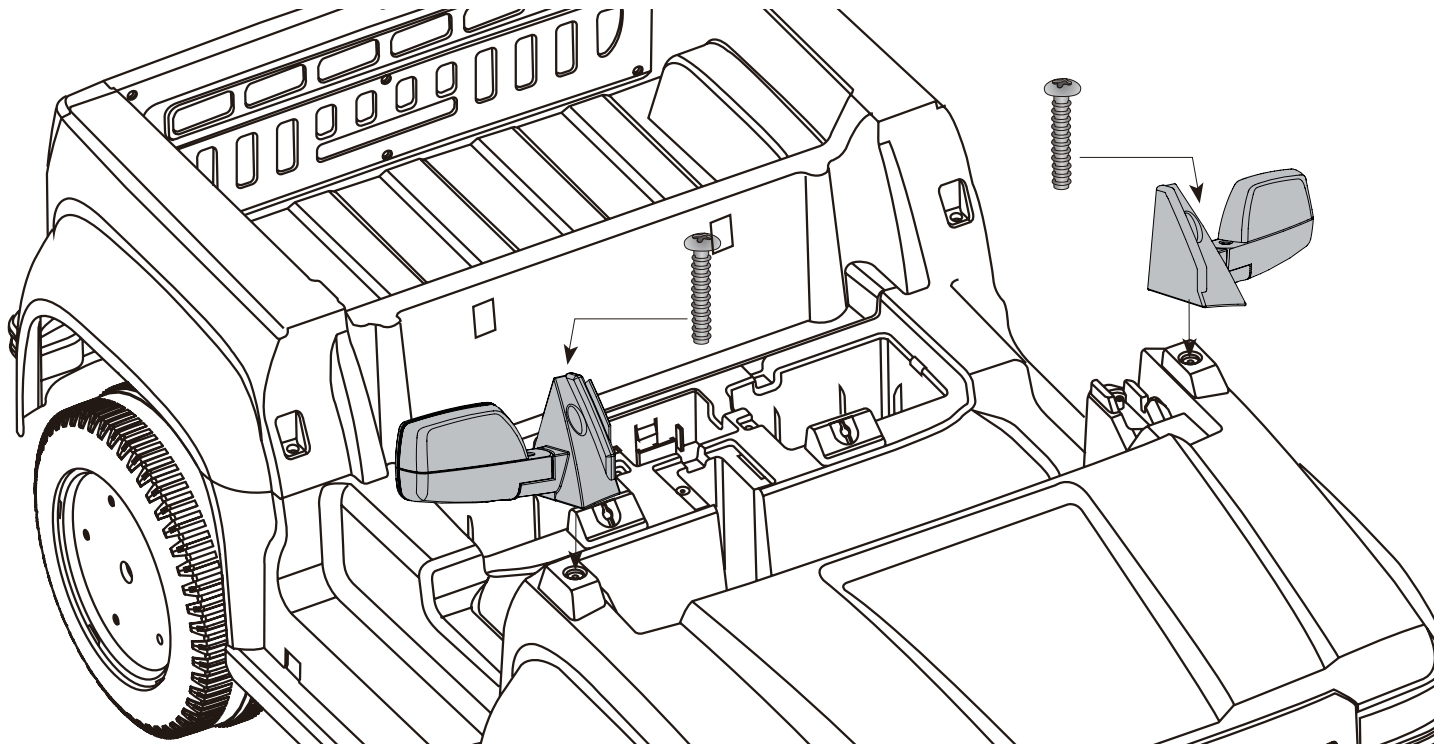
1. Ensure the grey battery connector is connected to the grey engine connector
2. Ensure the white gear box connector is connected to the white engine connector
3. Ensure the yellow gear box connector is connected to the yellow engine connector.

1. Locate thirteen screws (26) from blister pack
2. Turn the truck right-side up so that the wheels are on the ground
3. Connect the connectors from the truck body with the connectors on the gear boxes. Ensure the yellow gear box connector is connected to the yellow main harness and the white gear box connector is connected to the white main harness
4. Match the 9 screw holes on the truck bed with the holes on the truck body

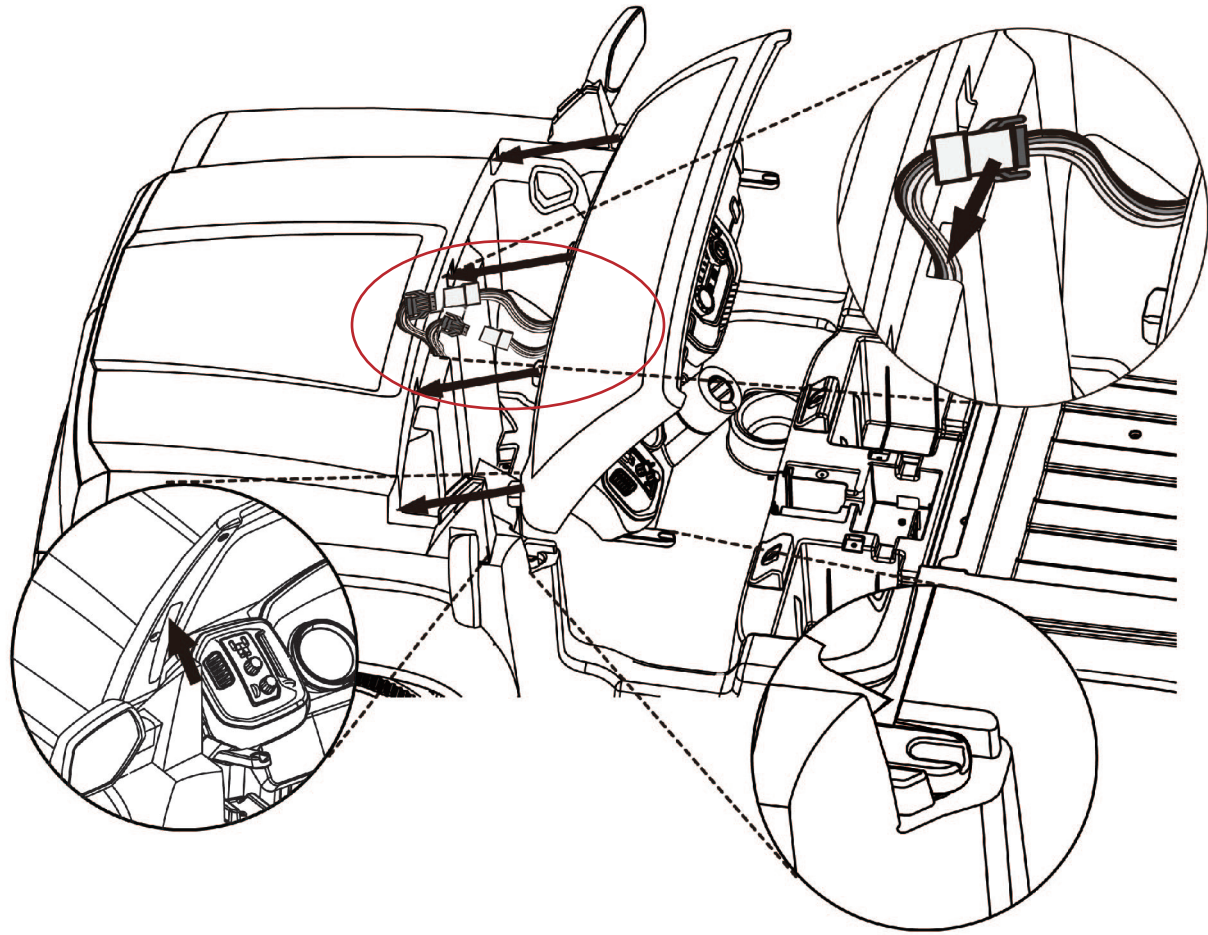


5. Align the holes and fasten all screws (26) securely with a screwdriver
6. Turn over the truck body and align the holes and fasten the four screws (26) accordingly.

16 Attach the Mirrors

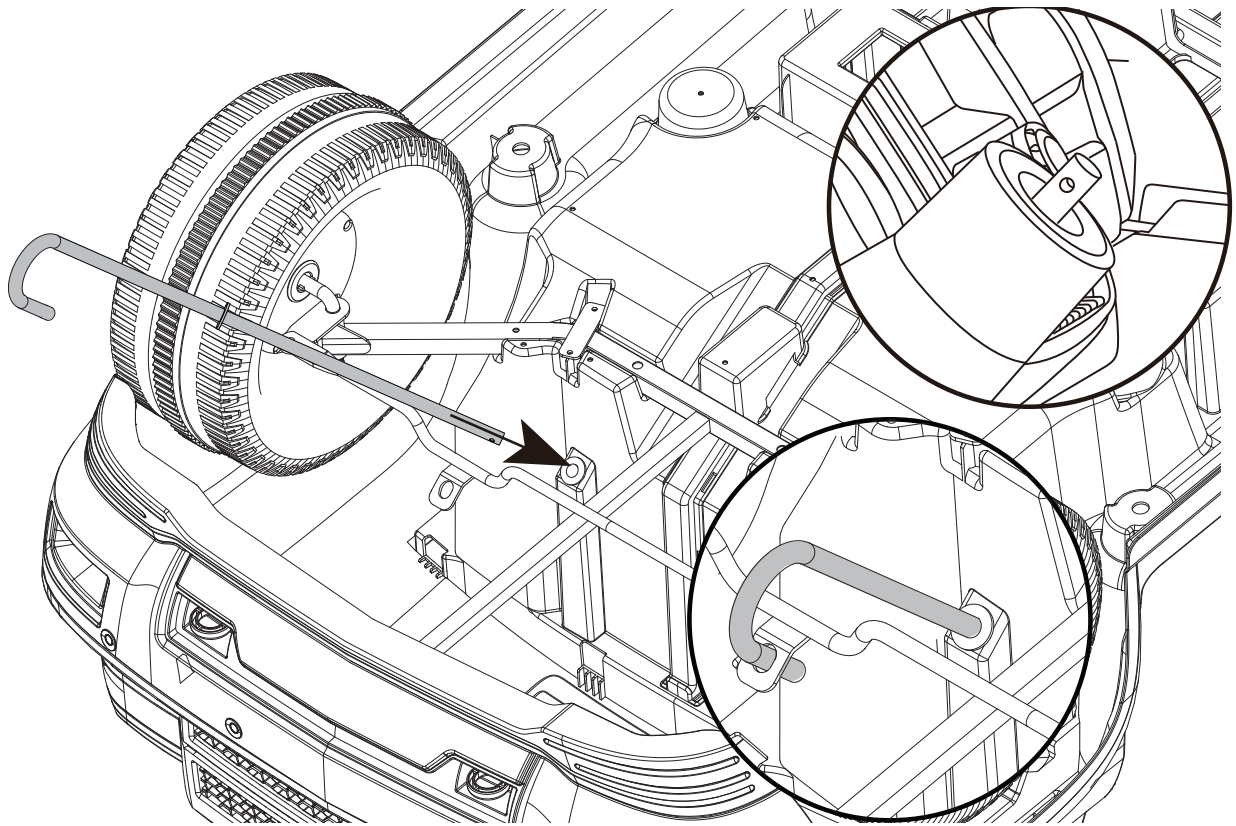


1. Remove the mirrors (3,4) from the plastic bags
2. Align the hole on the mirror with the hole on the truck
3. Insert the screw into the hole and fasten the nut with a screwdriver to secure the mirror
4. Repeat steps 1-3 for the other mirror

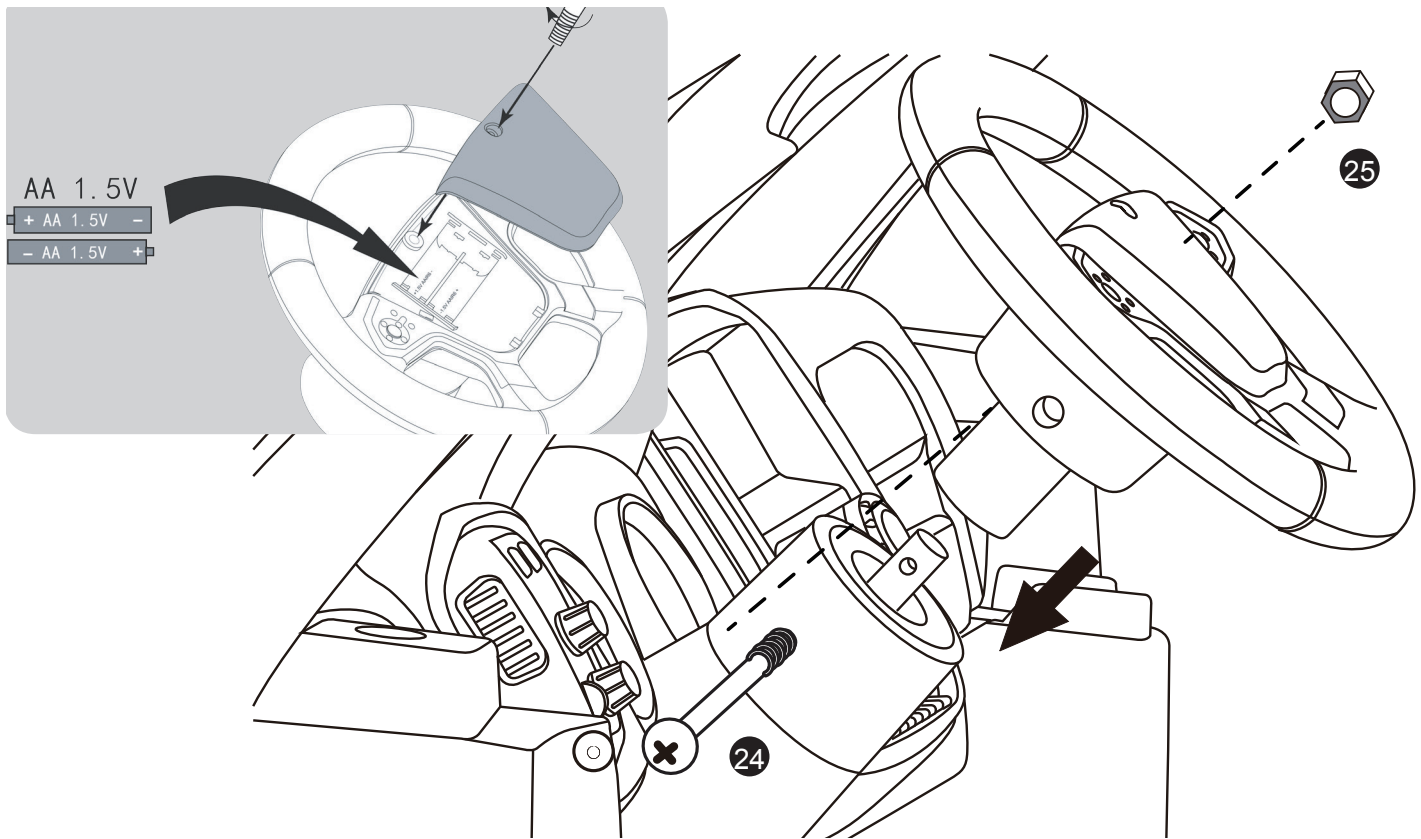


1. Attach the 2 wire connectors coming from the dashboard (16) body (located in the dashboard) to the 2 wire connectors attached to the truck body.
2. Match the plastic inserts on the dashboard with the four slots on the truck body and insert into the truck body at a 45 degree angle.
3. Click the windshield/dashboard into place with the mirrors. Make sure the holes on either side of the dashboard assembly snap over the posts on the truck frame.

18 Attach the Steering Rod



1. Locate the steering rod (23).
2. Insert the straight end of the steering rod into the steering rod hole on the underside of the dashboard. The steering rod should slide all the way through the dashboard.
3. The shorter, curved end of the steering rod will insert through the round hole on the front axle.



Helpful Tip:

1. Have one person hold the steering rod in place to prevent it from sliding down while the other person attaches the steering wheel

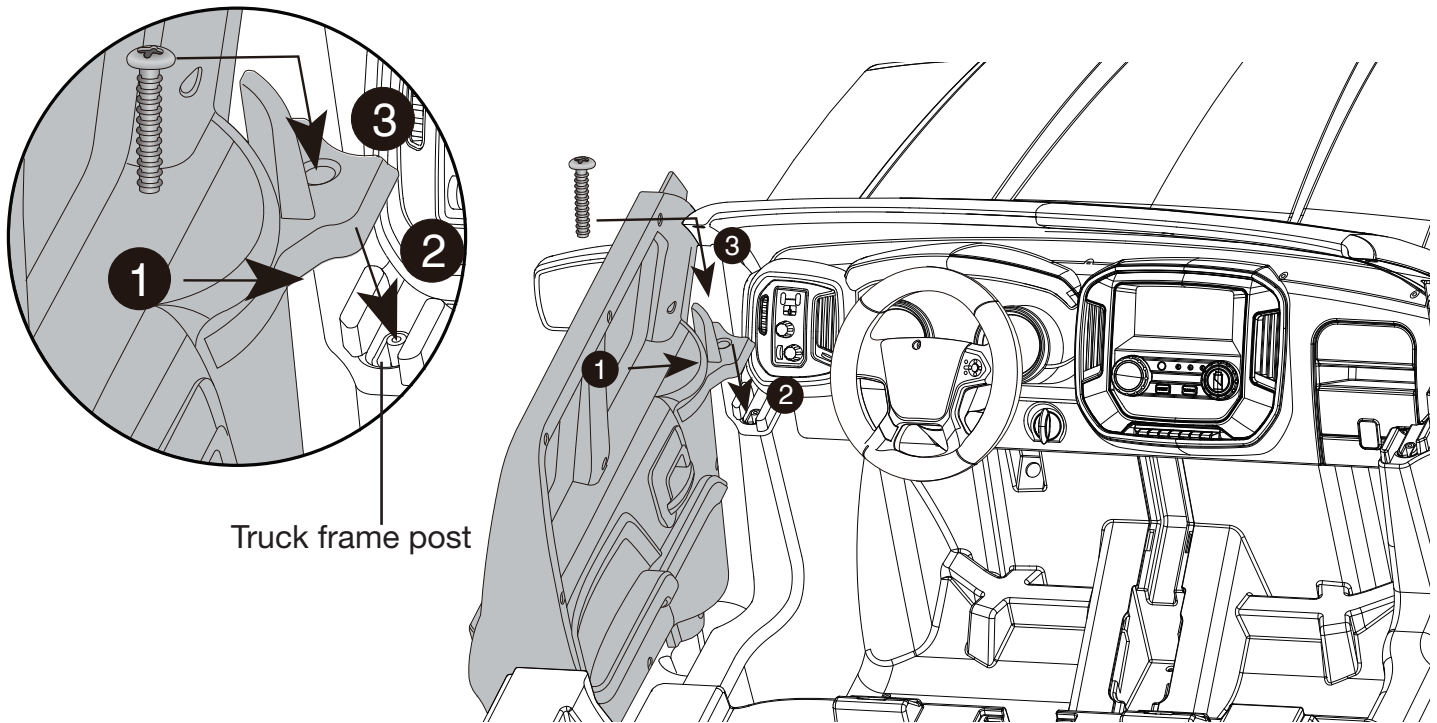


WARNING

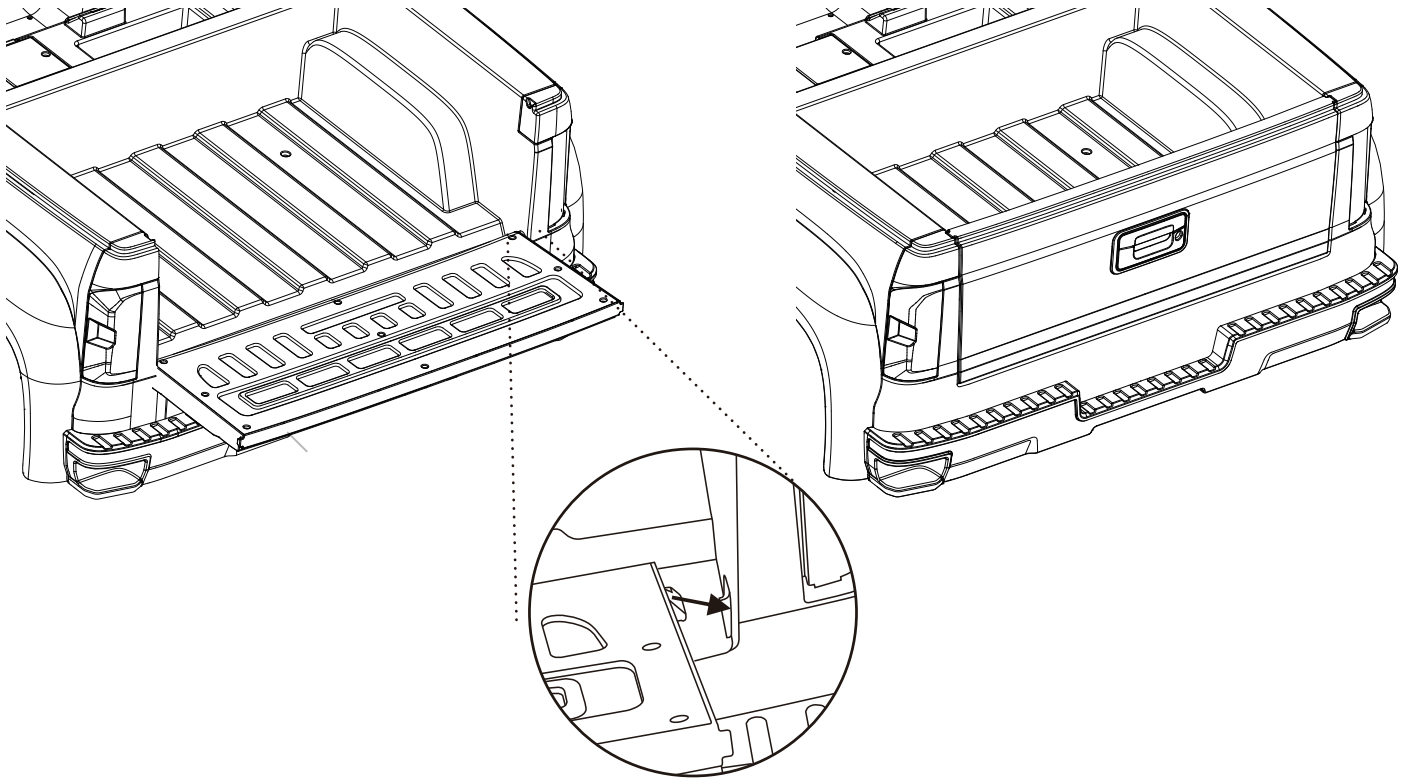
When replacing AA batteries, always replace both batteries at the same time. Do not mix old batteries with new batteries or batteries of different types.

1. Use a Phillips head screwdriver to remove the screw on the battery compartment of the steering wheel
2. Insert two AA batteries into the battery compartment
3. Replace cover and use the screwdriver to fasten
4. Remove the steering wheel screw and nut from the hole on the steering wheel
5. Slide the steering wheel (17) onto the steering rod (23)
6. Align the holes on the steering wheel with the holes on the steering rod
7. Slide the steering wheel screw through the steering wheel and steering rod
8. Fasten the nut to the end of the screw and tighten the screw with a screwdriver

20 Attach the Doors

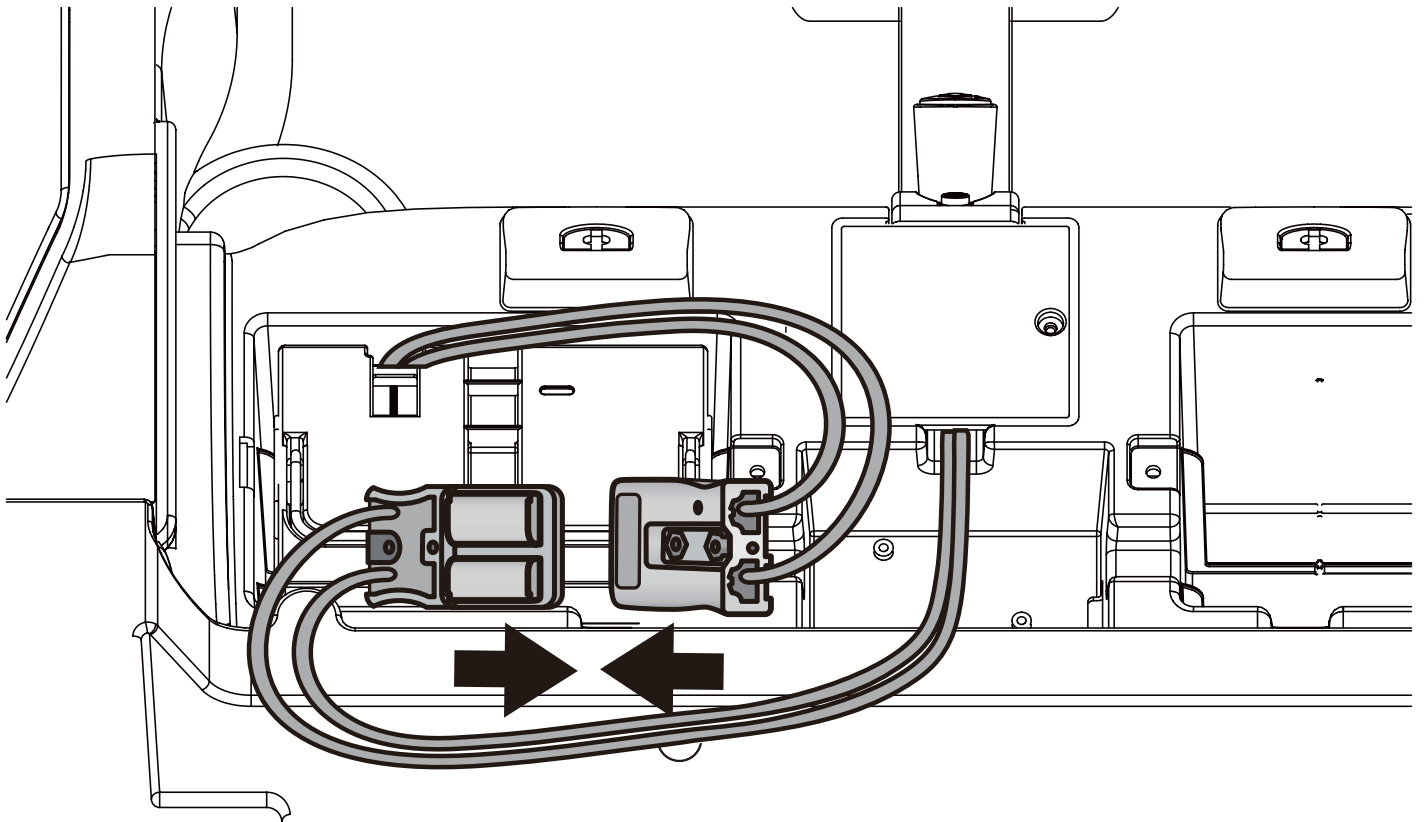


1. Align the doors (5,6) with the interior facing the inside of the truck
2. Position the hole on the door over the hole on the truck body and slide the post on the bottom of the door into the hole on the truck body side
3. Insert the screw into the screw hole and fasten to secure. Note: The doors will only fit on the truck body if the dashboard is properly installed over the posts on the truck frame
4. Repeat steps 1-3 for the other door

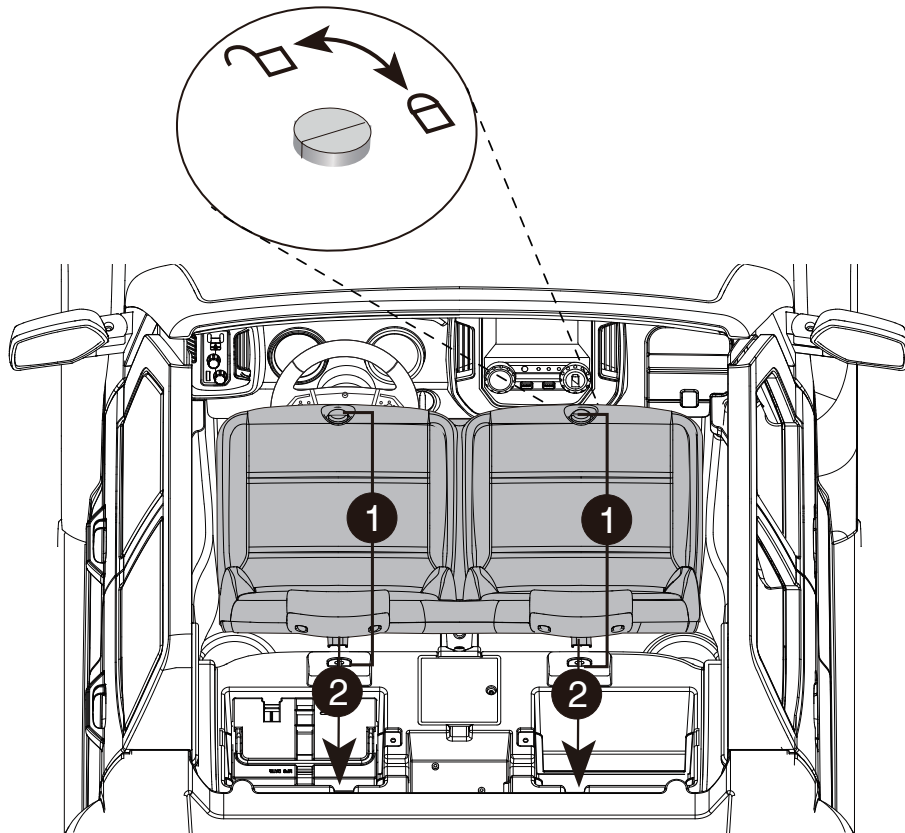


1. Keeping the tailgate (18) horizontal, align the tailgate with the holes on the truck bed
2. Once the tailgate is completely aligned with the slots on the bed, lift the bed door up until it clicks into place

22 Battery Attachment



1. Attach the battery connector to the engine connector. Place the connectors and wires in the slot area
2. Important! Before using the truck for the first time, the battery needs to be charged for a full 24 hours



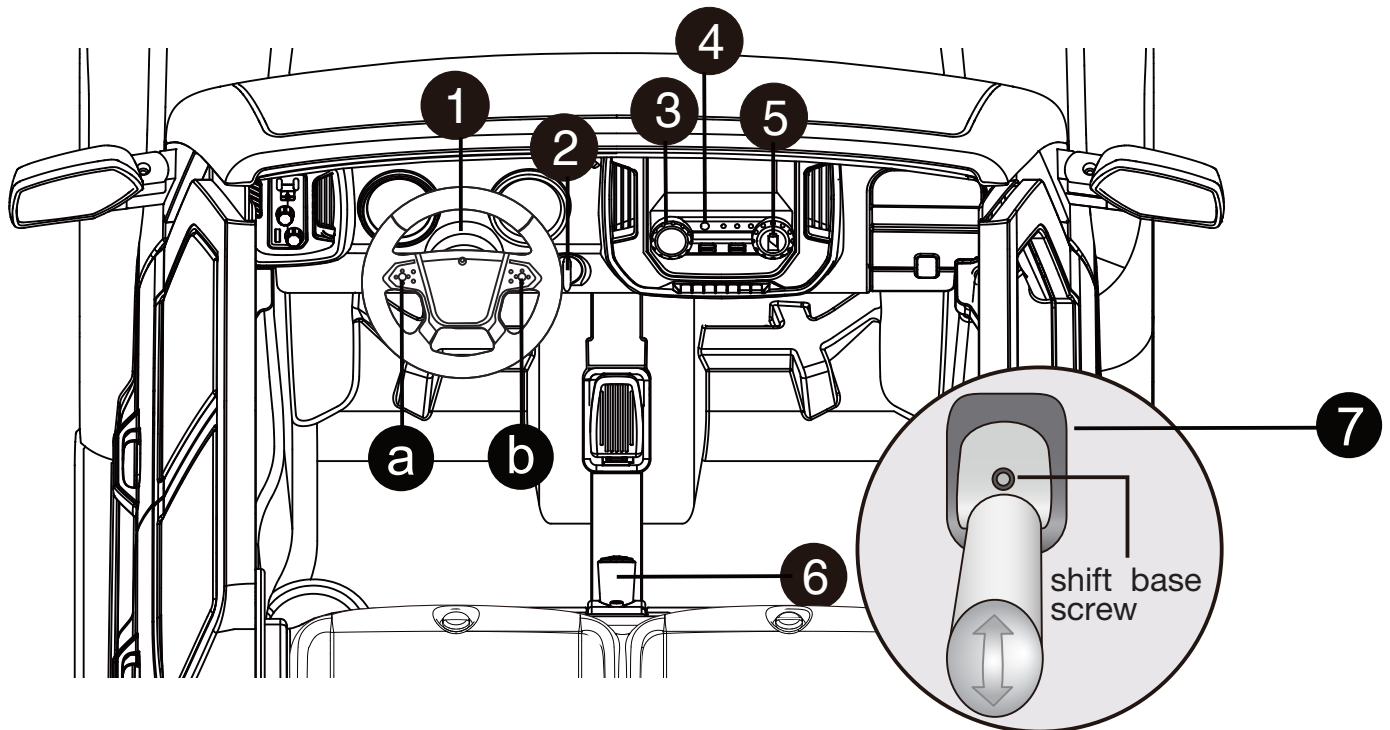
1. Align the seat (7) over the battery compartment
2. Ensure the locking mechanism aligns with the holes
3. Slide the hooks onto the back of the seat into the slots on the truck body
4. Turn the thumbscrew clockwise until it faces the lock position to properly secure in place



To properly fasten the seatbelt, fold side B over the child's lap. Then fold side A over side B, and fasten the seat belt with the Velcro. Ensure the seat belt is at a suitable length for comfort and safety.

The seat belt is only intended to keep child seated. Fasten securely across waist.

24 Operation Instructions



1. Press the left and right steering wheel buttons for horn (a) and engine sounds (b).
2. Turn the power switch to turn on the truck. Turn the power switch again to turn off the truck. The vehicle automatically powers down after two hours of inactivity. You can start up the car by: ① Pressing the foot pedal. ② Turning the power switch off and on.
3. Volume Control: Turn clockwise to turn on the MP3 player. Volume Dial also adjusts the volume on the MP3 player. The truck must be turned on to use.
4. Insert the MP3 cable (22) into the MP3 jack and connect to your device. The truck must be turned on to use.
5. Battery power indicator: Press the power indicator button to check battery level. The truck must be turned on to use.
 - Green, Yellow, & Red Lights: Battery is fully charged.
 - Yellow & Red Lights: Battery level is low.
 - Red Light: Battery power is lower than 10.5V, and the battery must be recharged.
6. Pull the shifter to the middle to move forward 4 km/h, 2.5 MPH. Pull the shifter all the way up to move forward at 8 km/h, 5 MPH. Push the
7. High-speed lockout: loosen the small screw at the base of the shifter to allow the truck to go at the higher speed of 5 MPH. Tighten the screw to only allow the truck to move at 2.5 MPH.

Important Battery and Charger Information

- Only an adult who has read and understands the safety warnings may handle and operate the battery and battery charger. Keep away from children.
- Charge the battery for 24 hours before using the vehicle for the first time.
- Recharge the battery immediately after each use. Charge for at least 8-12 hours, but no more than 20 hours.
- Charge the battery at least once a month, even if the vehicle is not used or stored.
- Never leave the battery in a discharged condition.
- Connect the terminal of the battery and charger, then plug the charger into a 120V AC outlet.
- It is normal for the charger to heat slightly. If the charger rises above 71°C / 160°F, disconnect the charger and call Customer Service for assistance.
- Keep the charger away from water or excessive moisture to prevent short-circuiting.
- Only use the charger specified with the original item. **Do not charge the battery with any other charger.**
- Do not attempt to recharge non-rechargeable batteries with the original charger.
- **Do not replace the battery with any other battery, or the warranty will be voided.** If you need a replacement battery, see Page 30 for replacement information.
- Remove damaged batteries from the truck immediately. Recycle or dispose of the used batteries responsibly.
- Do not short circuit the supply terminals.
- Do not leave the battery connected in the vehicle for extended periods of time when the vehicle is not being used. Disconnect the battery connector from the engine connector before storing.
- The vehicle is equipped with a thermal fuse to protect the electric circuit. If the vehicle cuts out, turn the vehicle off and on to reset.

26 General Care

- Regularly inspect all vehicle parts to ensure they are in good working condition.
- Regularly inspect the charger, cord, plug, and other related parts for damage.
- Remove any damaged parts and immediately contact Customer Service for replacement parts. See Service and Repairs on Page 30 for more information.
- DO NOT operate the vehicle if there are any damaged parts.
- Carefully clean the vehicle with a damp cloth and mild soap. Do not get water in or near any electrical parts. Do not wash the vehicle with a hose.
- Store the vehicle indoors or use a tarp to cover it. Keep away from stoves, heaters, or other sources of heat.

Troubleshooting Guide 27

Completely read through the manual and troubleshooting guide before contacting Customer Service.

Problem	Potential Cause	Solution
Vehicle does not run	Battery is low	Recharge the battery
	Thermal fuse tripped	This product uses a recoverable fuse which will automatically cut power to the truck if the current is overflowed. The truck will recover and properly function again in 5 to 10 seconds
	Loose wires or loose connectors	Ensure the battery connectors are securely attached. If wires are loose, contact Customer Service for repairs
	Battery is dead	Call Customer Service for replacement battery
	Electrical system is damaged	Call Customer Service for repairs
Vehicle only runs for a short time	Motor is damaged	Call Customer Service for repairs
	Undercharged battery	Ensure a secure connection when the battery is recharging. Recharge for at least 8-12 hours
	Overcharged battery	Never charge the battery for more than 30 hours
Vehicle runs slowly	Battery is old	Replace battery
	Battery is not fully charged	Ensure a secure connection when the battery is recharging
	Battery is old	Call Customer Service to order replacement battery
	Too much weight on vehicle	Reduce weight on vehicle 59 kg (130 lbs max)
	Harsh conditions	Operate the vehicle on level ground and safe surfaces

Problem	Potential Cause	Solution
Vehicle needs a push to start	Loose wires or loose connectors	Ensure the battery connectors are securely attached. If wires are loose, contact Customer Service for repairs
	“Dead spot” on motor	A “dead spot” means electricity is not being delivered to the terminal. Contact Customer Service for repairs
Difficulty shifting	Attempting to shift while vehicle is moving	Stop the vehicle before shifting
Motor or gear box making grinding noises	Motor or gear damage	Contact Customer Service for repairs
Battery will not recharge	Charger is not plugged in	Plug in the charger to a functional wall outlet
	Charger is not working	Call Customer Service for a replacement
	Loose connector or loose adapter	Check that the connectors are securely plugged in to each other
Battery makes bubbling noise while recharging	This is normal	No action required
Charger is warm	This is normal	No action required

This device complies with part 15 of the FCC Rules. Operation is subject to the following two conditions: (1) this device may not cause harmful interference, and (2) this device must accept any interference received, including interference that may cause undesired operation.

This equipment has been tested and found to comply with the limits for a Class B digital device, pursuant to Part 15 of the FCC Rules. These limits are designed to provide reasonable protection against harmful interference in a residential installation.

This equipment generates, uses and can radiate radio frequency energy and, if not installed and used in accordance with the instructions, may cause harmful interference to radio communications. However, there is no guarantee that interference will not occur in a particular installation. If this equipment does cause harmful interference to radio or television reception, which can be determined by turning the equipment off and on, the user is encouraged to try to correct the interference by one or more of the following measures:

- Reorient or relocate the receiving antenna.
- Increase the distance between the equipment and the receiver.
- Consult dealer or an experienced radio/TV technician for help.
- Connect the equipment into an outlet on a circuit different from that to which the receiver is connected.
- Check the state or local requirements for the product before using the product.

Caution: Changes or modifications not expressly approved by the party responsible for compliance could void the user's authority to operate the equipment.

Do not return this vehicle to the store.

If your product requires service, repairs or replacement parts, please contact Rollplay Customer Service.

Hours: 9 AM - 5 PM (CST), Monday - Friday

Phone: 1-888-982-9309

Email: customerservice@rollplay.com

Web: www.rollplay.com

For a list of available replacement parts, please visit www.rollplay.com.

WE WILL REQUIRE PROOF OF PURCHASE. Please save your sales receipt and register your product at www.rollplay.com

Rollplay 12-Volt Limited Warranty

- One-year limited warranty from the date of purchase with proof of purchase from a Rollplay certified retailer.
- Six month limited warranty on the 12-Volt battery with proof of purchase from a Rollplay certified retailer.
- This one-year limited warranty covers the ride-on vehicle against defects in materials and workmanship to the original purchaser. **Proof of purchase receipt from an Rollplay certified reseller is required.**
- Rollplay ensures the original 12-Volt battery is warranted for 6 months from initial purchase of the vehicle from a certified retailer. Proof of purchase receipt required.
- This warranty covers normal use and does not cover the Rollplay vehicle or battery if deemed damaged by unreasonable use, modification, neglect, accident, abuse, misuse, improper service or other causes not arising out of defects in materials or workmanship. Evidence of any attempt at consumer repair will void this warranty.
- This warranty does not cover, and is not intended to exclude any liability on the part of Rollplay, whether under this warranty or implied by law for any indirect or consequential damages for breach of warranty. Some states may not allow the exclusion or limitation so this limitation may not apply to you.

Should you need service or assistance with your vehicle during the warranty period:

- Please do not return vehicle to the store.
 - Consult the troubleshooting guide in this manual and online at www.rollplay.com
- or
- Call Rollplay Customer Service at 1-888-982-9309

Note: This warranty gives you specific legal rights. You may also have other rights that may vary from state to state.

Please save your original sales receipt.

32 Product Registration

Fill out the form below and mail it to:

Rollplay
1131 W. Blackhawk St.
Second Floor
Chicago, IL 60642

OR fill out the form online at **www.rollplay.com**

We will use the information provided only for your warranty. We will not sell, rent or share your personal information.

Product Registration

First Name: _____ Last Name: _____ Title: _____

Address: _____

City: _____ State: _____ Zip Code: _____

Email: _____ Phone: _____

Date of Purchase: _____

The following product information is on the cover of the owner's manual.

Product Name: _____ Model Number: _____

Serial Number: _____ Retailer Place of Purchase: _____

Questions or comments? Contact us at **www.rollplay.com** or **1-888-982-9309**