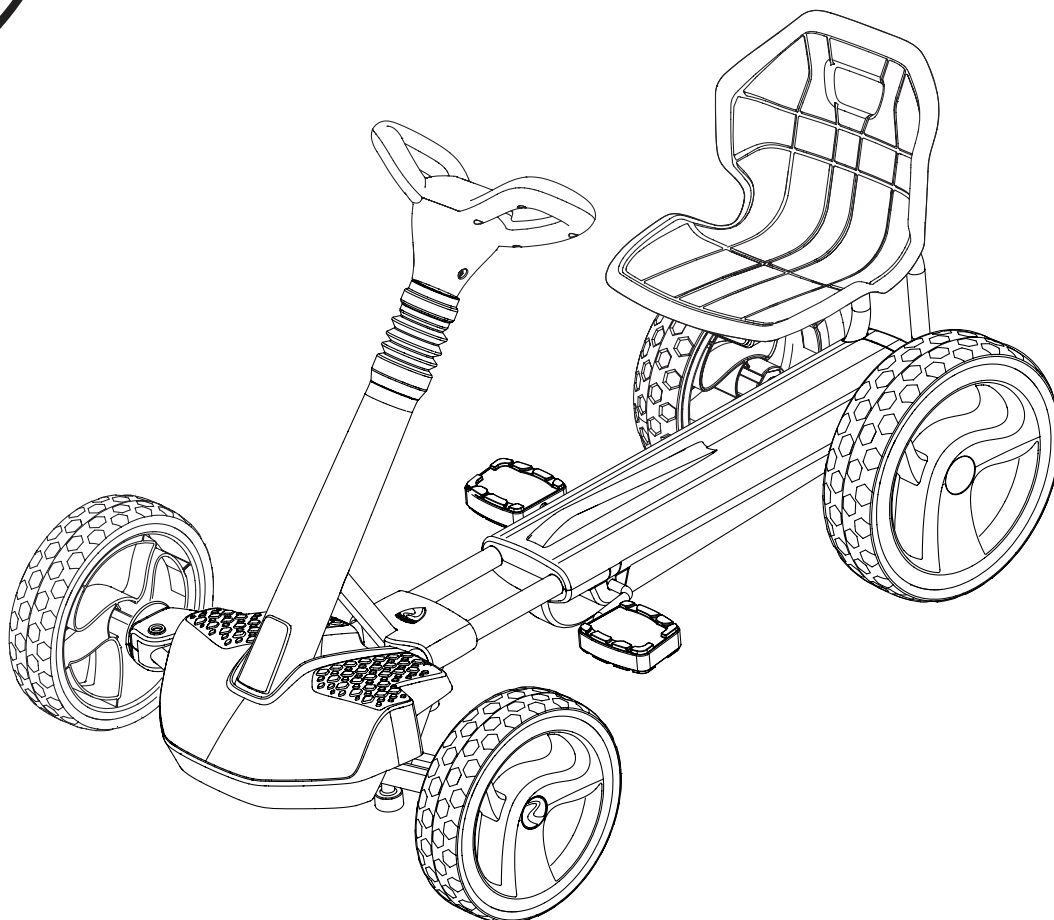




# ***FLEXKART XL PEDAL***



## **Owner's Manual and Assembly Instructions**

Model #: W403

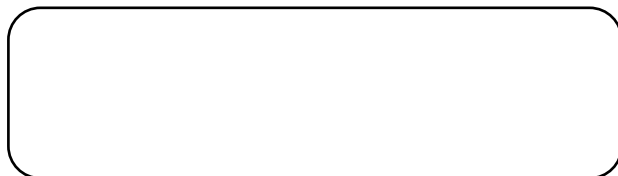
Read and understand the entire manual before assembly and operation. The vehicle must be assembled by an adult who has read and understands the instructions.

Made in China.

Styles and colors may vary. Do not return your product to the store.

Contact Rollplay Customer Service with questions. Call 1-888-982-9309 for assistance and replacement parts.

**IMPORTANT: Save this manual with your sales receipt.**



# Introduction

Thank you for purchasing this Rollplay vehicle. We hope the rider enjoys it for miles to come. Please read this instruction guide carefully before assembling and operating the vehicle.

Please contact Rollplay Customer Service with any questions. Have your model number and serial number ready before calling. Please provide proof of purchase.

Hours: 8 AM - 5 PM EST, Monday - Friday

Phone: 1-888-982-9309

Email: [customerservice@rollplay.com](mailto:customerservice@rollplay.com)

Web: [www.rollplay.com](http://www.rollplay.com)

For a list of available replacement parts, please visit [www.rollplay.com](http://www.rollplay.com).

**WE REQUIRE PROOF OF PURCHASE.** Please save your sales receipt and register your product at [www.rollplay.com](http://www.rollplay.com).

## Specifications:

|              |   |
|--------------|---|
| AGE          | 4 years and up                              |
| MAX WEIGHT   | 50 kg (110 lb)                              |
| PRODUCT SIZE | 99.5 x 66.5 x 62 cm (39.2 x 26.2 x 24.4 in) |

# IMPORTANT!

**DO NOT RETURN YOUR PRODUCT TO THE STORE.**  
**CONTACT ROLLPLAY WITH QUESTIONS.**

E-mail Customer Service if you need assistance or replacement parts.  
Please have your model number and serial number ready before calling.  
Keep your sales receipt and register your product  
at [www.rollplay.com](http://www.rollplay.com), as we require proof of purchase.

customerservice@rollplay.com  
1-888-982-9309

**Read this entire manual prior to  
assembly to ensure safe operation of  
the vehicle.**



## **WARNING: ADULT SUPERVISION REQUIRED**

- Before using the vehicle, the rider must understand the vehicle controls and safety issues.
- It is the responsibility of the adult to educate the child and to determine if the child is capable of understanding the vehicle controls.
- An adult must ALWAYS directly supervise the use of this vehicle.
- NEVER leave a child unsupervised in the vehicle.

# Table of Contents

|   |           |
|---|-----------|
| <b>Safety .....</b>                       | <b>5</b>  |
| <b>Parts .....</b>                        | <b>6</b>  |
| <b>Unfolding the Frame .....</b>          | <b>7</b>  |
| <b>Drive Wheel Assembly .....</b>         | <b>8</b>  |
| <b>Driven Wheel Assembly.....</b>         | <b>9</b>  |
| <b>Wheel Cover Assembly .....</b>         | <b>10</b> |
| <b>Seat Assembly and Adjustment .....</b> | <b>11</b> |
| <b>Operating the Vehicle .....</b>        | <b>12</b> |
| <b>Folding .....</b>                      | <b>13</b> |
| <b>General Care .....</b>                 | <b>14</b> |
| <b>Troubleshooting Guide .....</b>        | <b>14</b> |
| <b>Warranty .....</b>                     | <b>15</b> |
| <b>Product Registration .....</b>         | <b>16</b> |



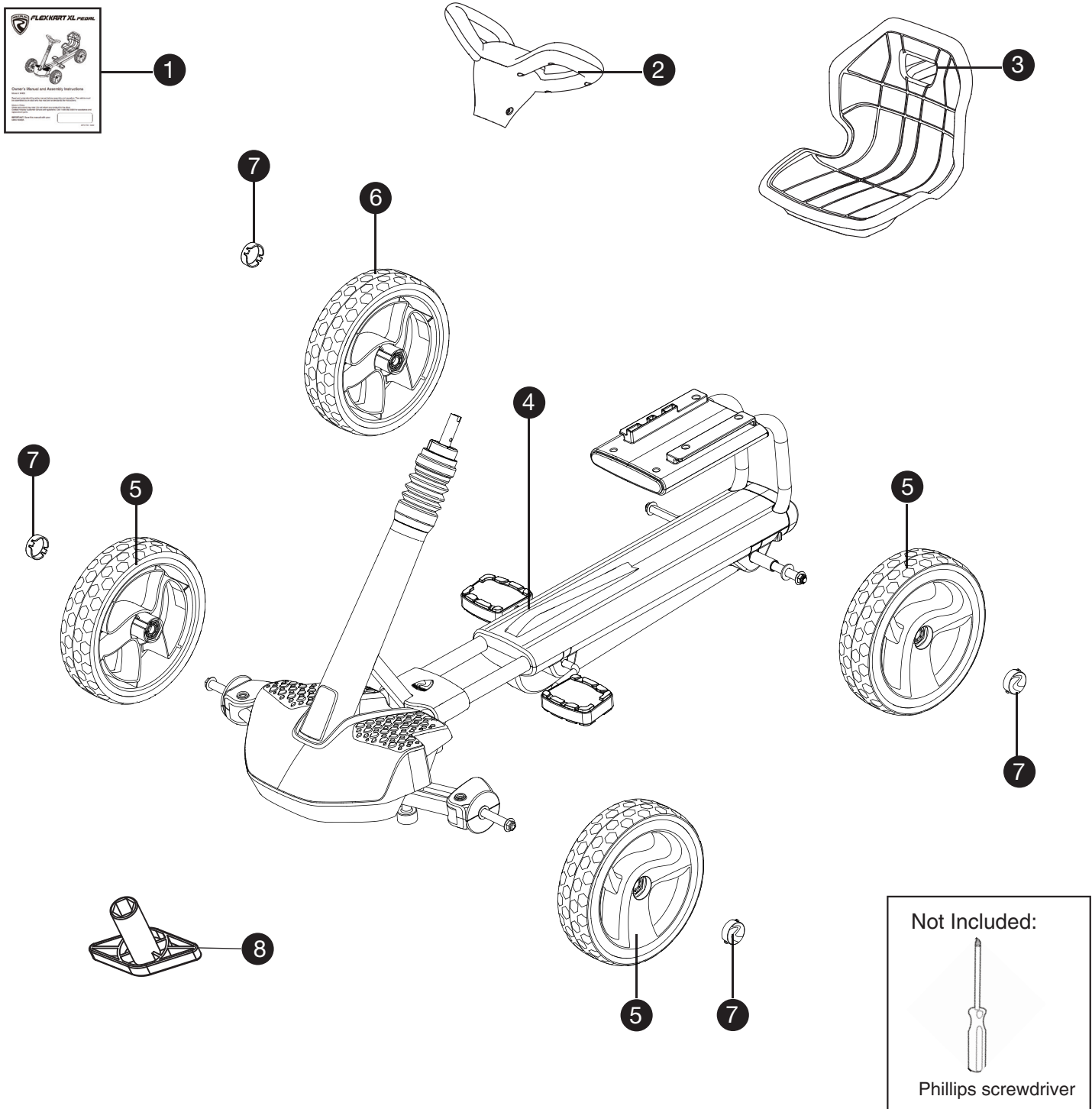
## **WARNING: SAFETY RIDING RULES**

The user must follow all safety rules and guidelines, or serious injury or death may occur.

**NEVER LEAVE CHILD UNATTENDED. ALWAYS** keep child in view when child is on the vehicle. Direct adult supervision is **REQUIRED**.

- **ALWAYS** use common sense and safe practices when using the vehicle. The user must be at least 4 years old and weigh no more than 50 kg (110 lbs.).
- This product contains small parts that are for adult assembly only. Keep small children away when assembling. Remove and dispose of all protective material and plastic bags before assembly.
- Only sit on the seat of the vehicle.
- Do not allow more than one rider.
- Do not overload the vehicle. Do not remove the weight restriction decals.
- Do not tow the vehicle with another vehicle or similar device.
- Keep body parts, such as hands, legs, hair and clothing away from moving parts. Moving parts can cause serious injury.
- **ALWAYS** wear shoes while using the vehicle.
- **NEVER** operate near roadways or motor vehicles.
- Do not operate near drop-offs, such as steps, steep inclines or hills. Operate on relatively level ground.
- Do not operate near water, swimming pools or other bodies of water.
- Do not operate in dangerous weather conditions such as rain or snow.
- Do not operate near loose dirt, mud, sand or fine gravel.
- Always use the vehicle in a safe, secure environment with adult supervision.

# 6 Parts



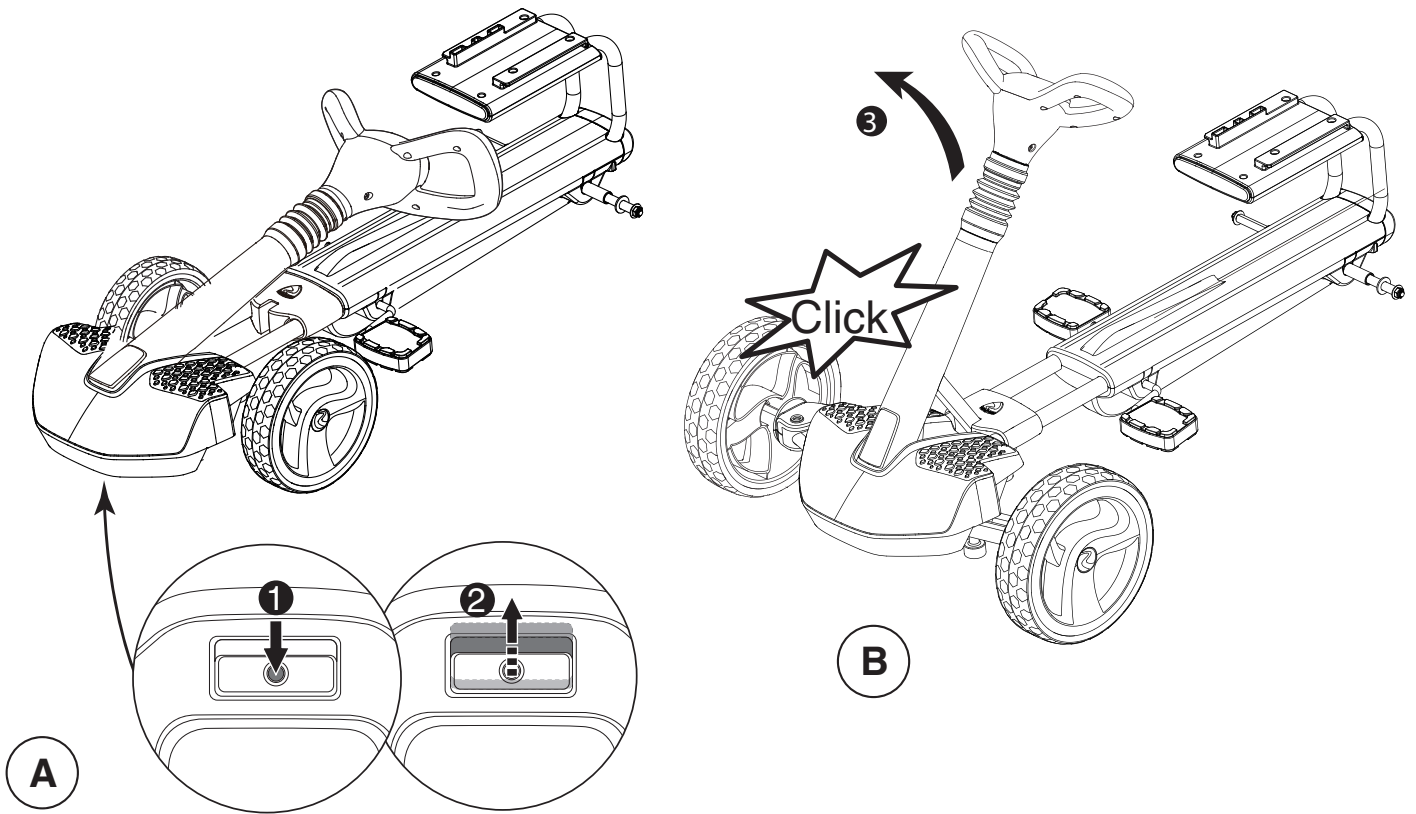
1. Manual
2. Steering Wheel
3. Seat
4. Vehicle Body

5. Driven Wheels (x3)
6. Drive Wheel
7. Wheel Covers (x4)
8. Wrench (x1)

Not Included:

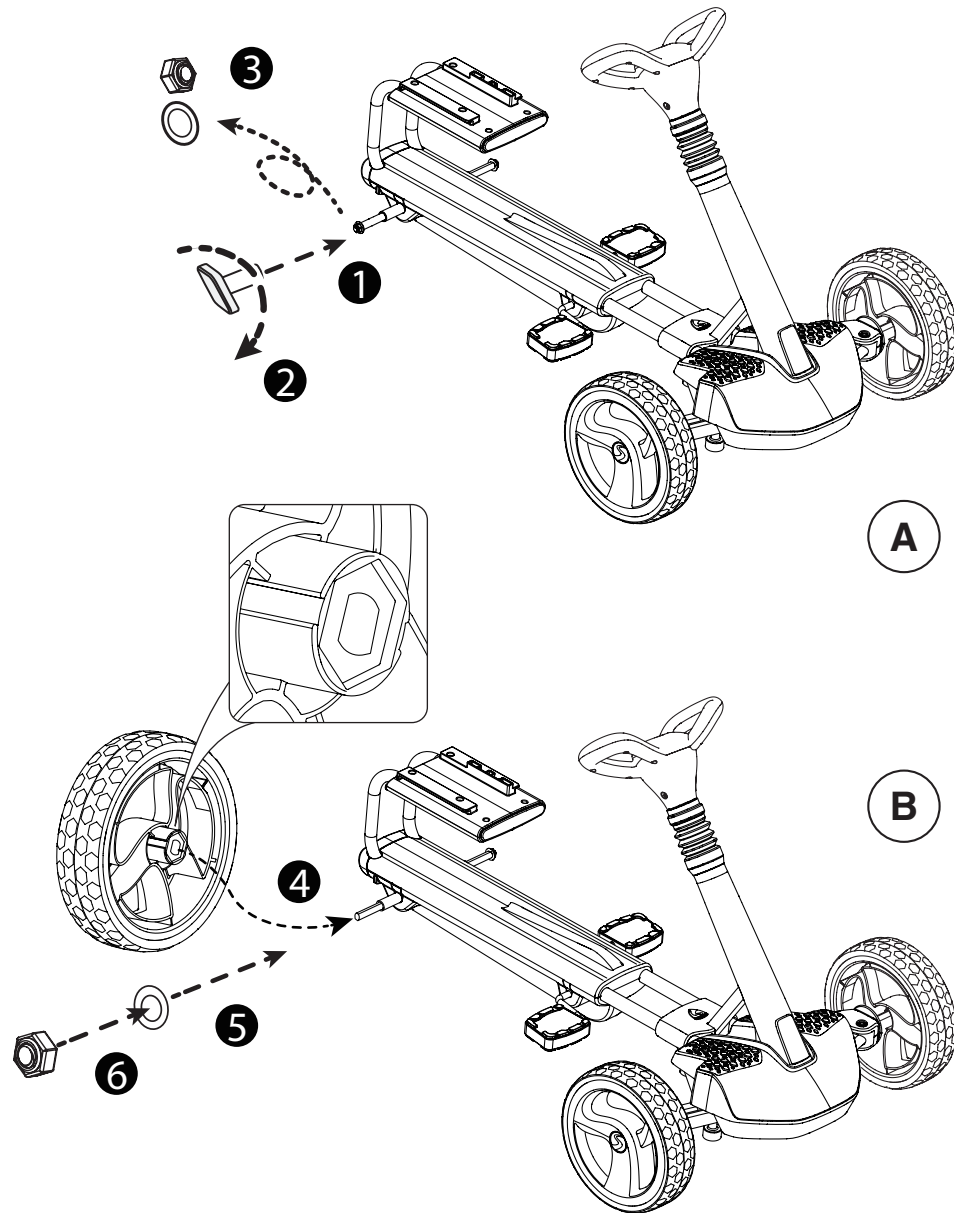


Phillips screwdriver



- A. Lift up front of the kart, press both the round button ❶ and the rectangular button ❷ at the same time.
- B. While pressing both buttons, lift up on the steering column ❸ until it “clicks” into place.

# 8 Drive Wheel Assembly

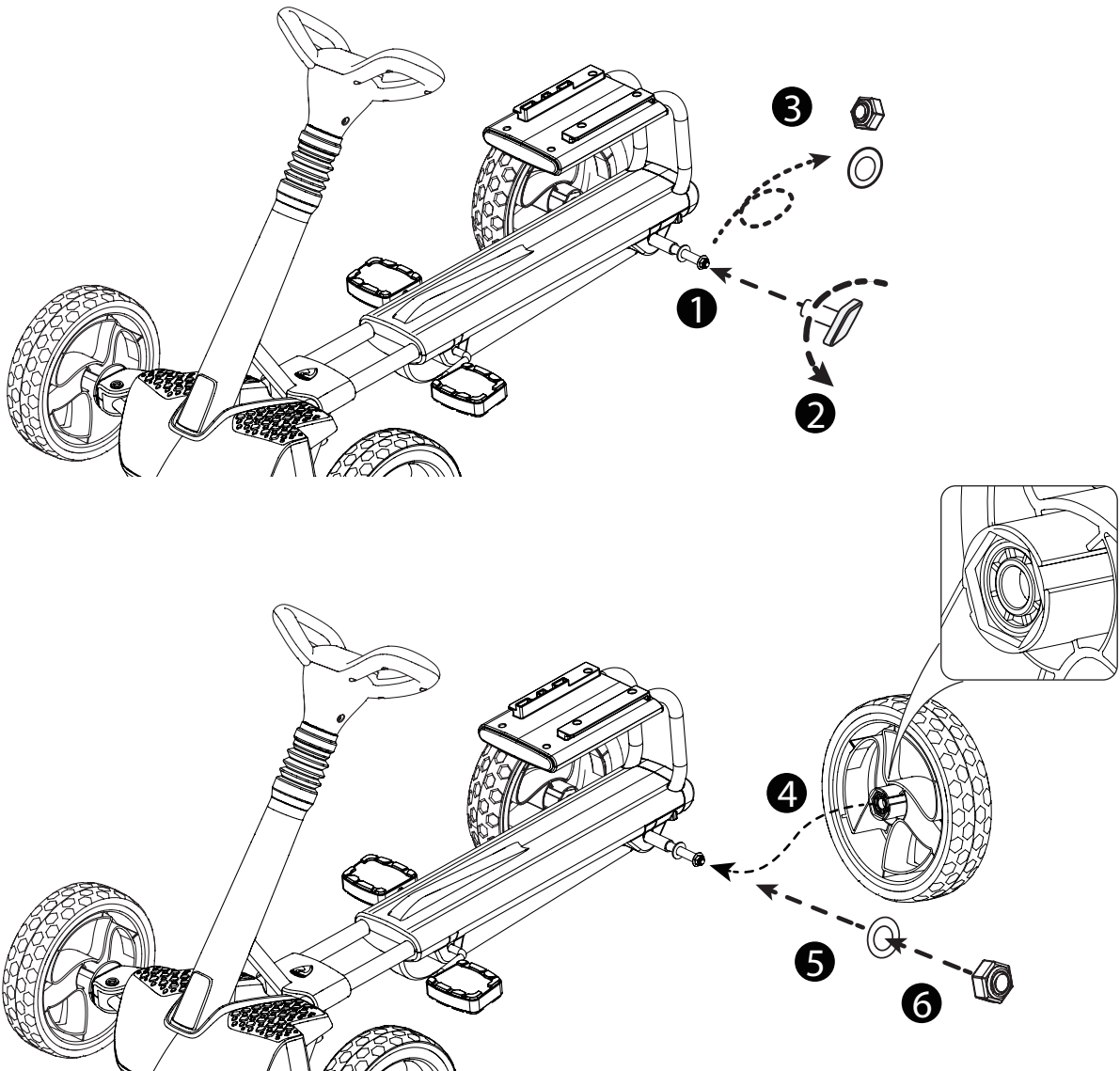


A. Remove the nut and washer on the axle with the wrench provided. Set aside for later use.

B. Slide the drive wheel onto the axle as shown then insert the washer and tighten the nut.

**Note:** The drive wheel has a square axle hole while the driven wheels have a round one, to match with the ends of the axles.



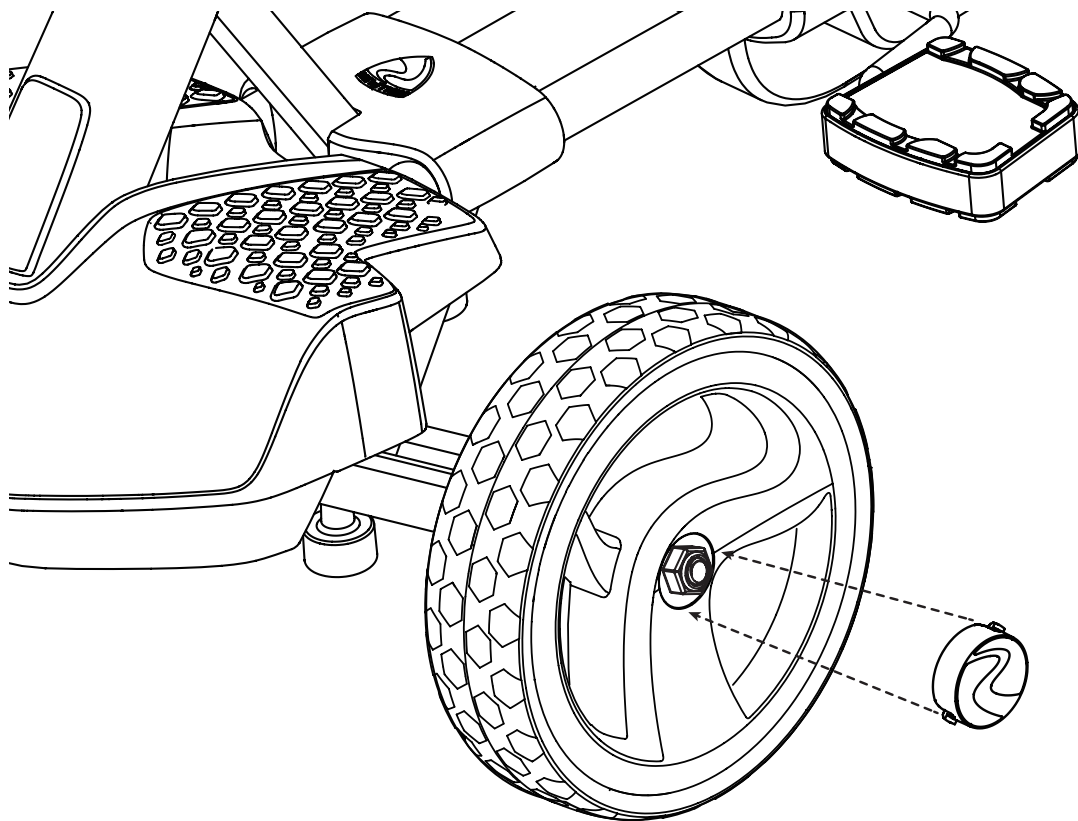


For each driven wheel:

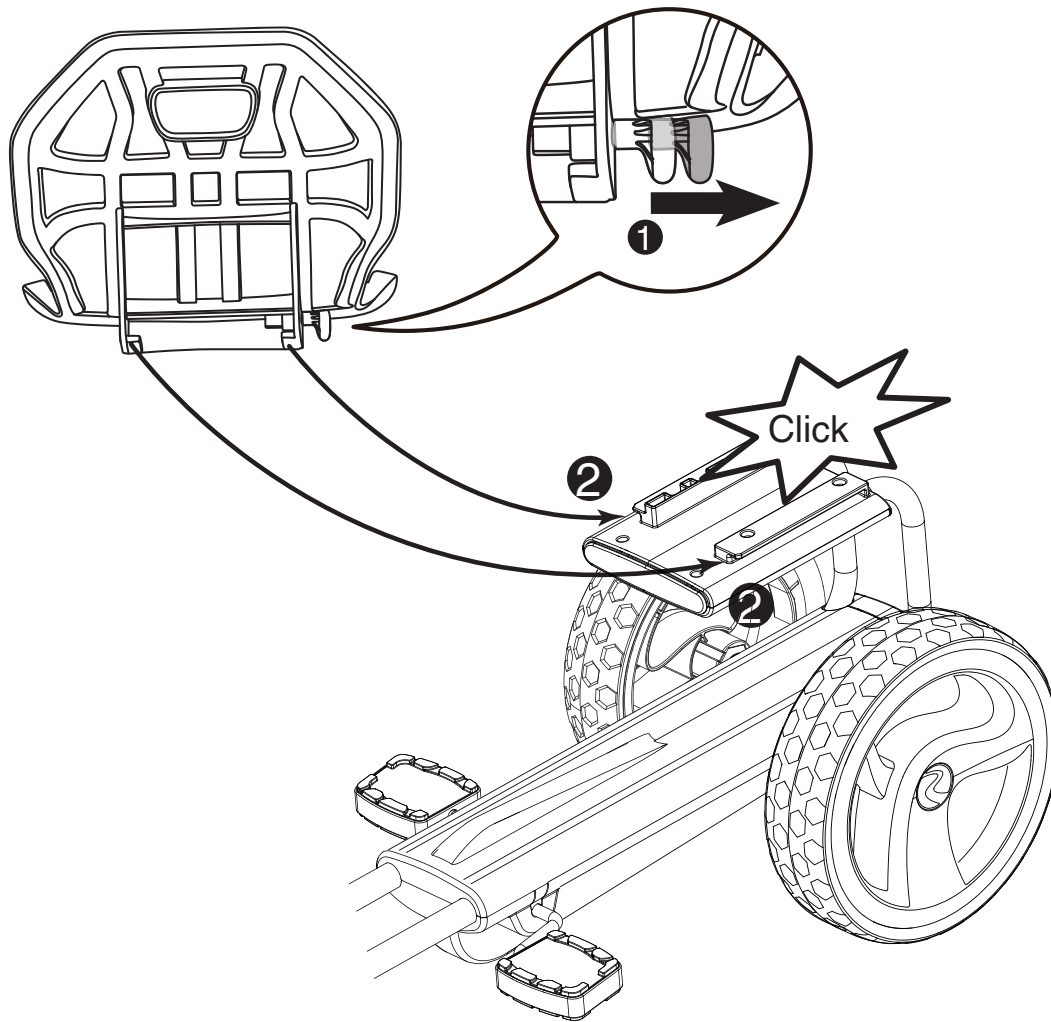
- A. Remove the nut and small washer on the axle with the wrench provided. Leave the large washer on the axle.
- B. Slide the wheel onto the axle as shown then insert the washer and tighten the nut.

**Note:** The drive wheel has a square axle hole while the driven wheels have a round one, to match with the ends of the axles.

# 10 Wheel Cover Assembly



- A. Align the tabs on the wheel cover to slots on the wheel and press it into place.
- B. Repeat to install other wheel covers.



Pull the spring-operated seat release knob **1** outwards, align the clamping hook at the bottom of the seat with the seat slide chute **2**.

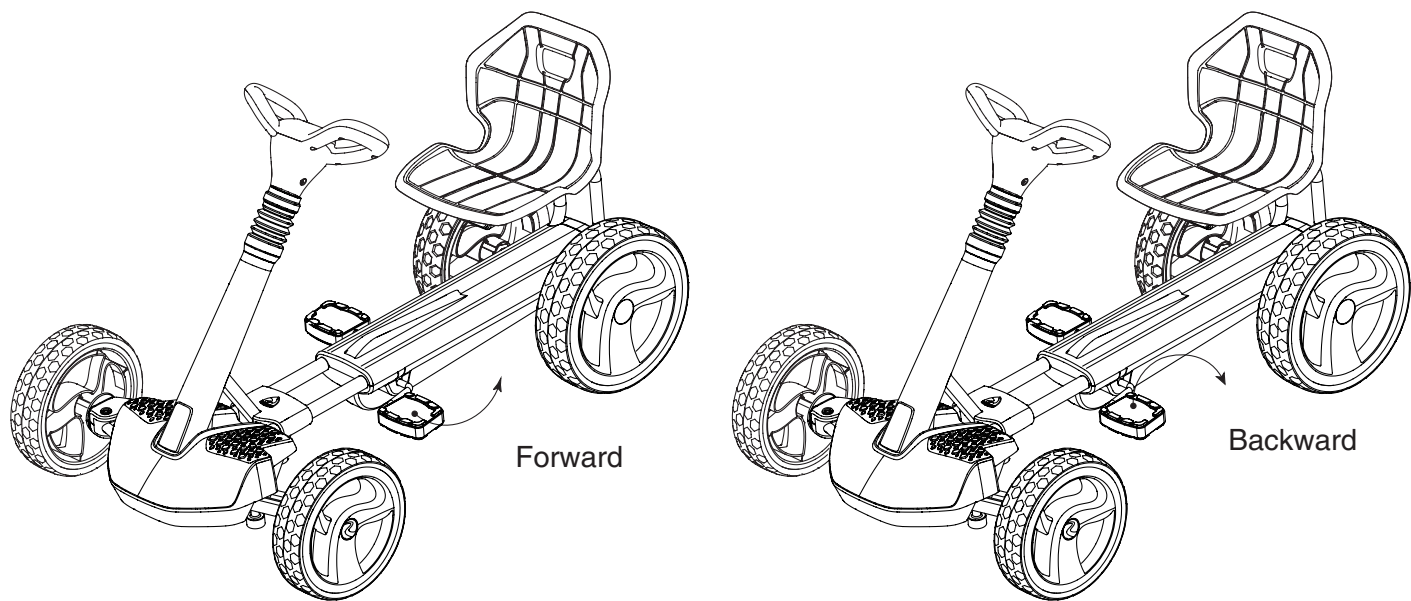
Push the seat onto the chute and then release the seat release knob. **1**

Continue pushing seat toward back until you hear the first “click”. This indicates the seat is locked in the front position.

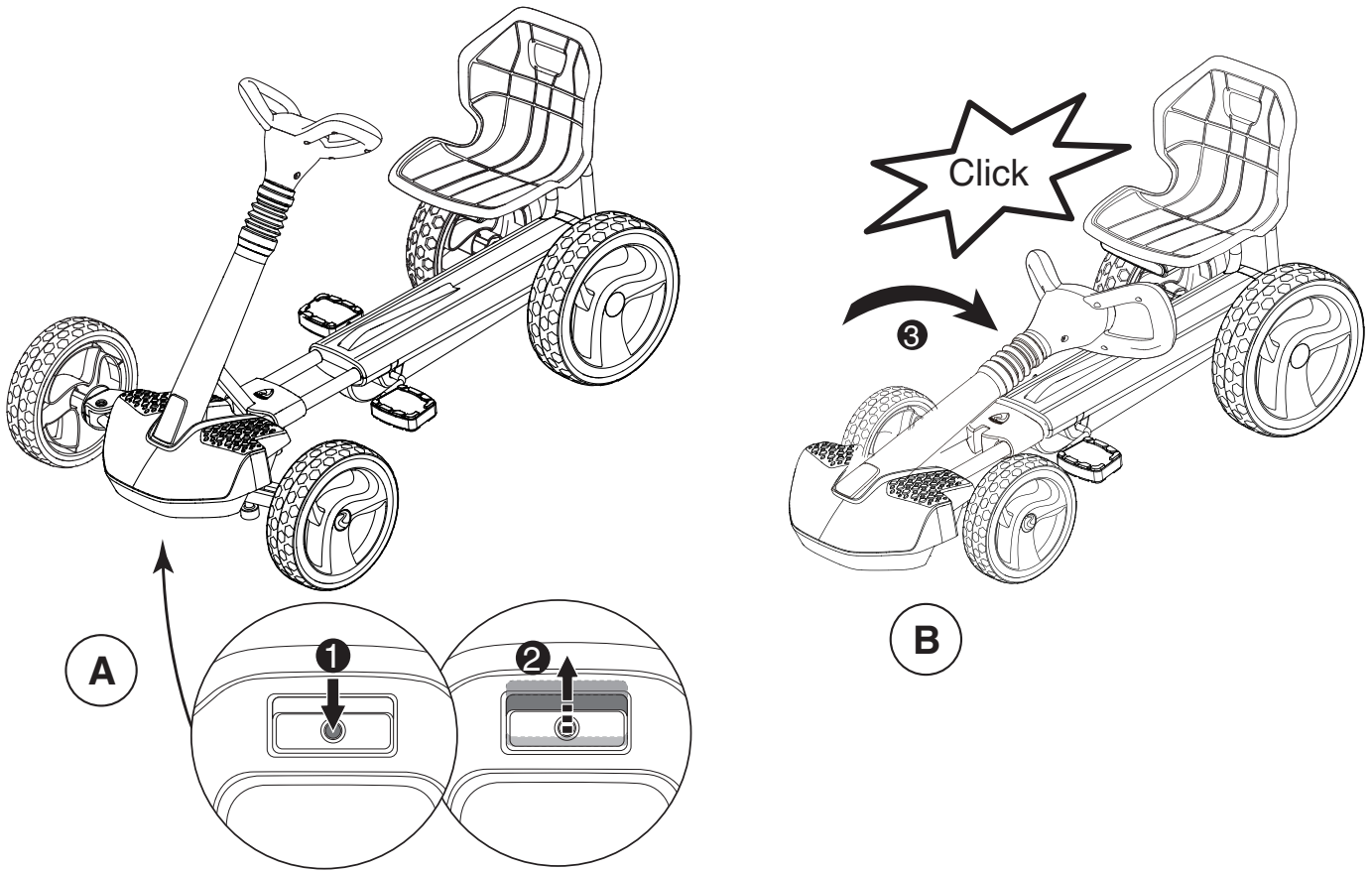
Pull the seat release knob **1** outwards and continue to push the seat backward until you hear a second “click”. This indicates the seat is locked in the rear position.

The front and rear positions can be adjusted easily as needed.

## 12 Operating the Vehicle



The pedal can be used to move the vehicle forward and backward as shown. Push the pedal in the desired direction to operate the vehicle.



- A. Lift up front of the kart, press both the round button **1** and the rectangular button **2** at the same time.
- B. While pressing both buttons, fold the steering column **3** down. You will hear a “click” sound to indicate the steering column is locked into the folded position.

# 14 General Care

- Regularly inspect all vehicle parts to ensure they are in good working condition.
- Remove any damaged parts and immediately contact Customer Service.
- See Page 2 for more information.
- DO NOT operate the vehicle if there are any damaged parts.
- Store the vehicle indoors or use a tarp to cover it. Keep away from stoves, heaters, or other sources of heat.

## Troubleshooting Guide

| Problem             | Potential Cause       | Solution  |
|---------------------|-----------------------|---|
| Foot pedal is stuck | Drive chain is stuck  | Completely read through the manual and troubleshooting guide, then call Customer Service for assistance |
| Idle pedaling       | Drive chain falls off |   |

- One-year limited warranty from the date of purchase with proof of purchase from a Rollplay certified retailer.
- This one-year limited warranty covers the ride-on vehicle against defects in materials and workmanship to the original purchaser. **Proof of purchase receipt from a Rollplay certified retailer is required.**
- This warranty covers normal use and does not cover the Rollplay vehicle if deemed damaged by unreasonable use, modification, neglect, accident, abuse, misuse, improper service or other causes not arising out of defects in materials or workmanship. Evidence of any attempt at customer repair will void this warranty.
- This warranty does not cover, and is not intended to exclude any liability on the part of Rollplay, whether under this warranty or implied by law for any indirect or consequential damages for breach of warranty. Some states may not allow the exclusion or limitation, so this limitation may not apply to you.

Should you need service or assistance with your vehicle during the warranty period:

- Please do not return vehicle to the store.
  - Consult the troubleshooting guide in this manual and online at [www.rollplay.com](http://www.rollplay.com)
- or
- Call Rollplay Customer Service at 1-888-982-9309.

**Note:** This warranty gives you specific legal rights. You may also have other rights that may vary from state to state.

**Please save your original sales receipt.**

# 16 Product Registration

Fill out the form below and mail it to:

Rollplay Products  
1801 Commerce Dr.  
Piqua, OH 45356

OR fill out the form online at [www.rollplay.com](http://www.rollplay.com).

We will use the information provided only for your warranty. We will not sell, rent or share your personal information.

---

## Product Registration

First Name: \_\_\_\_\_ Last Name: \_\_\_\_\_ Title: \_\_\_\_\_

Address: \_\_\_\_\_

City: \_\_\_\_\_ State: \_\_\_\_\_ Zip Code: \_\_\_\_\_

Email: \_\_\_\_\_ Phone: \_\_\_\_\_

Date of Purchase: \_\_\_\_\_

The following product information is on the cover of the owner's manual.

Product Name: \_\_\_\_\_ Model Number: \_\_\_\_\_

Serial Number: \_\_\_\_\_ Place of Purchase: \_\_\_\_\_

Questions or comments? Contact us at [www.rollplay.com](http://www.rollplay.com) or 1-888-982-9309