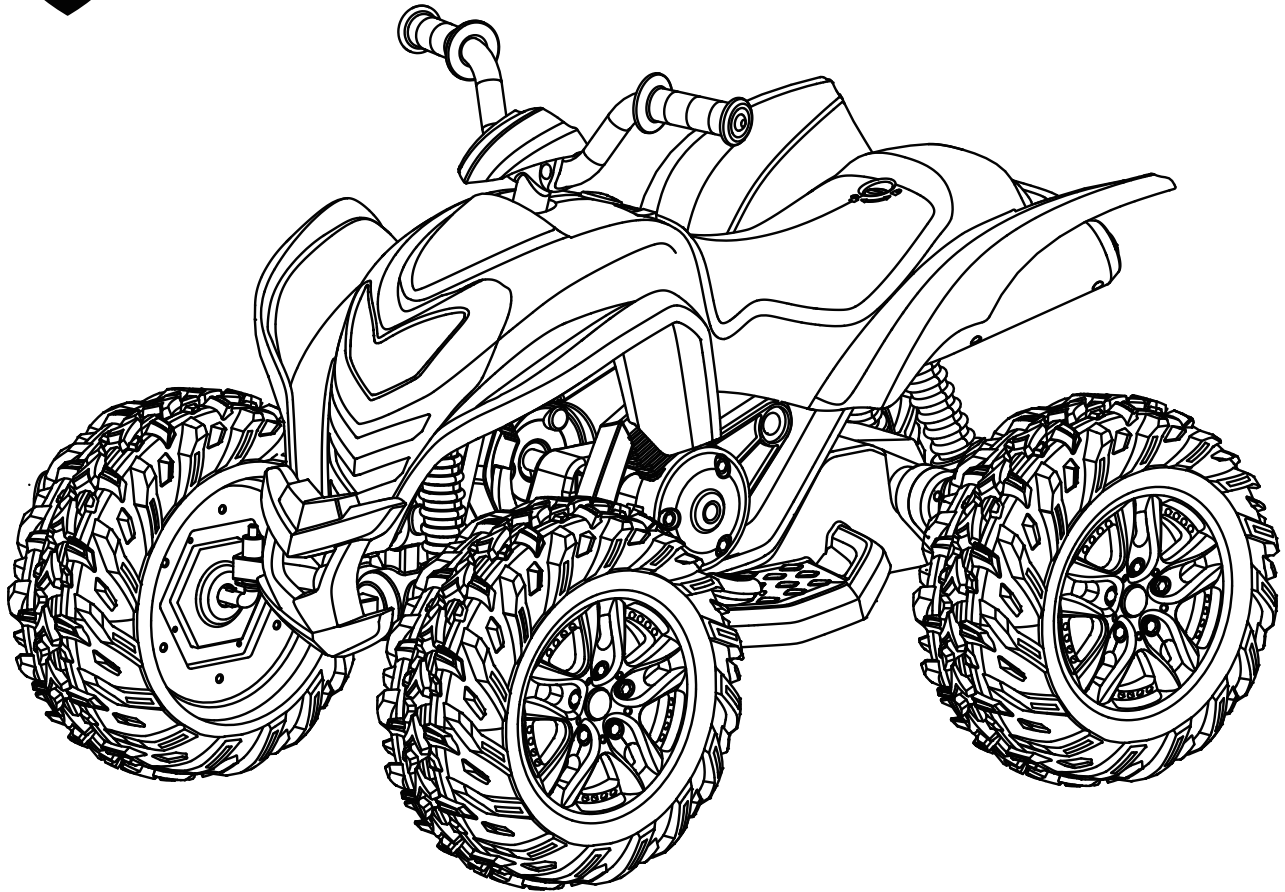




12V Powersport ATV



Owner's Manual and Assembly Instructions

Model #: W442AC

Read and understand the entire manual before assembly and operation. The vehicle must be assembled by an adult who has read and understands the instructions.

Made in China.

Styles and colors may vary. Do not return to store. Email customerservice@rollplay.com for assistance and replacement parts.

IMPORTANT:

Save this manual with your sales receipt.

Introduction

Thank you for purchasing this Rollplay vehicle. We hope the rider enjoys it for miles to come. Please read this instruction guide carefully before assembling and operating the vehicle.

Keep your sales receipt or register your product at www.rollplay.com.

Please contact Rollplay Customer Service with any questions. Have your model number and serial number ready before calling. Please have proof of purchase.

Hours: 9 AM - 5 PM (CST), Monday - Friday

Phone: 1-888-982-9309

Email: customerservice@rollplay.com

Web: www.rollplay.com

Specifications:

BATTERY	12V 7AH
MOTOR	6V 20W
AGE	3 and up
MAX WEIGHT	35 kg (77 lbs)
PRODUCT SIZE	99 x 61 x 60 cm (39.0 x 24.0 x 23.6 in)
SPEED	4 km/h (2.5 mph)
RECHARGE TIME	8-12 Hours
TYPICAL RUN TIME	1-2 Hours
CHARGER OUTPUT	DC 12.0V

IMPORTANT!

YOU MUST CHARGE THE BATTERY FOR 24 HOURS BEFORE FIRST USE!

Charge the battery after each use.

Charge the battery at least once a month, even if the vehicle is not in use.

BEFORE RETURNING YOUR PRODUCT TO THE STORE, CONTACT ROLLPLAY WITH QUESTIONS.

E-mail Customer Service if you need assistance or replacement parts. Please have your model number and serial number ready before calling. Please have proof of purchase. Keep your sales receipt or register your product at www.rollplay.com as we may require proof of purchase.

customerservice@rollplay.com

Read this entire manual to ensure proper assembly and safe operation of the vehicle.

4 Table of Contents

Safety	5
Parts	7
Charging Instructions	8
Assemble the Front Wheels	9
Assemble the Rear Wheels	10
Assemble the Steering Rod	11
Attach the Handlebar	12
Assemble the Front Bumper	13
Attach the Seat	14
Operating Instructions	15
Battery Maintenance	16
General Care	17
Troubleshooting Guide	18
FCC Information	20
Service and Repairs	21
Warranty	22
Product Registration	23



WARNING: SAFETY RIDING RULES

The user must follow all safety rules and guidelines, or serious injury or death may occur to the user.

- Always use common sense and safe practices when using the vehicle. The user must be at least 3 years old and weigh no more than 35 kg (77 lbs).
- This product contains small parts that are for adult assembly only. Keep small children away when assembling. Remove and dispose of all protective material and plastic bags before assembly.
- Riders must always wear a fitted helmet that complies with U.S. Consumer Product Safety Commission (CPSC) Standard 16 CFR 1203.
- Only sit on the seat in the vehicle.
- Do not allow more than one rider.
- Do not overload the vehicle. Do not remove the weight restriction decals.
- Do not pull the vehicle with another vehicle or similar device.
- Keep body parts such as hands, legs, hair and clothing away from moving parts. Moving parts can cause serious injury.
- Always wear shoes in the vehicle.
- Do not operate near streets or motor vehicles.
- Do not operate near drop-offs such as steps, steep inclines or hills. Operate on relatively level ground.
- Do not operate near water, swimming pools or other fluids.
- Do not operate in dangerous weather conditions such as rain or snow.
- Do not operate near loose dirt, mud, sand or fine gravel.
- Do not operate near flammable vapors (gasoline, paint thinner, acetone, etc.).
- Always use the vehicle in a safe, secure environment with adult supervision.

PREVENT INJURIES AND DEATHS:

NEVER LEAVE CHILD UNATTENDED. ALWAYS keep child in view when child is in vehicle. Direct adult supervision is **REQUIRED**.

NEVER use in roadways, near cars, on or near steep inclines or steps, swimming pools or other bodies of water.

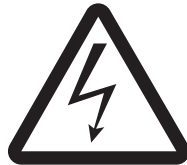
ALWAYS wear shoes. **ALWAYS** sit on the seat. **RISK OF FIRE**. Do not bypass. Remove batteries if product is to be left unused for a long time. Always replace the whole set of batteries at one time, taking care not to mix old and new ones, or batteries of different types.

WARNING: BATTERY SAFETY

- Battery posts, terminals and related accessories contain lead and lead components. **DO NOT** open the battery.



- Contact exposure to battery leakage (lead acid) may cause serious injury. Immediately contact your doctor if exposure occurs. If the chemical is on the skin, flush immediately with cool water for 15 minutes. If the chemical is swallowed, immediately give the person water or milk. Do not give water or milk if the person is vomiting or has decreased alertness. Do not induce vomiting.

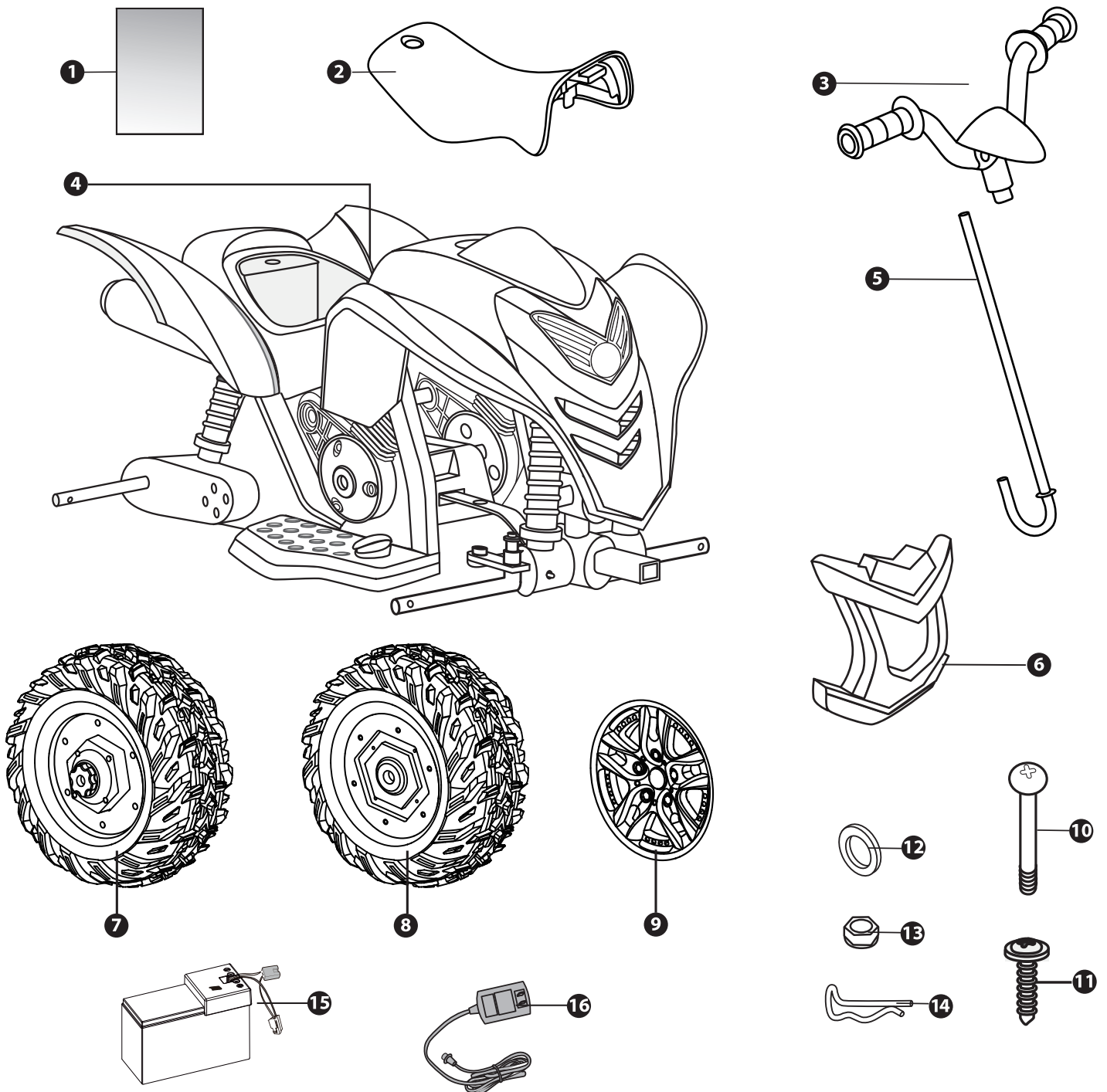


- Tampering with or modifying the electric circuit system may cause shock, fire or explosion. It could permanently damage the system. Keep the charger housing closed to prevent exposed wiring, which may cause electric shock.

IMPORTANT: Before using the vehicle for the first time, the battery must be charged for a full 24 hours (no more than 30 hours).

WARNING: ADULT SUPERVISION REQUIRED

- Before using the vehicle, the rider must understand the vehicle controls and safety issues.
- It is the responsibility of the adult to educate the child and to determine if the child is capable of understanding the vehicle controls.
- An adult must **ALWAYS** directly supervise the use of this vehicle.
- **NEVER** leave a child unsupervised in the vehicle.



- | | | |
|-----------------|------------------------|---|
| 1. Manual | 7. Rear Wheel (X2) | 13. Handlebar Nut |
| 2. Seat | 8. Front Wheel (X2) | 14. Snap Pins (X4) |
| 3. Handlebar | 9. Wheel Cover (X4) | 15. Battery (Located in the seat compartment) |
| 4. Vehicle Body | 10. Handlebar Screw | 16. Charger |
| 5. Steering Rod | 11. Front Bumper Screw | |
| 6. Front Bumper | 12. Washer (X4) | |

NOTE: There may be extra hardware included for your convenience.

8 Charging Instructions

YOU MUST CHARGE THE BATTERY FOR 24 HOURS BEFORE THE FIRST USE!

ONLY AN ADULT SHOULD HANDLE THE BATTERY AND CHARGER.

To Charge the Battery:

1. Ensure the ATV is stopped and turned off.
2. Unlock the seat lock using a coin or screwdriver and remove the seat.
3. Unplug the red battery connector from the red engine connector.
4. Connect the red battery connector to the red battery charger connector. (fig. 1)
5. Plug into a 120 V outlet.

To Reconnect the Battery:

6. Unplug the battery charger from the outlet.
7. Unplug the red battery connector.
8. Reconnect the red battery connector to the red engine connector.(fig. 2)
9. Replace the seat and tighten lock.

Note: It is not necessary to remove the battery for charging. However, if the battery does not reach the outlet, it can be removed for charging.

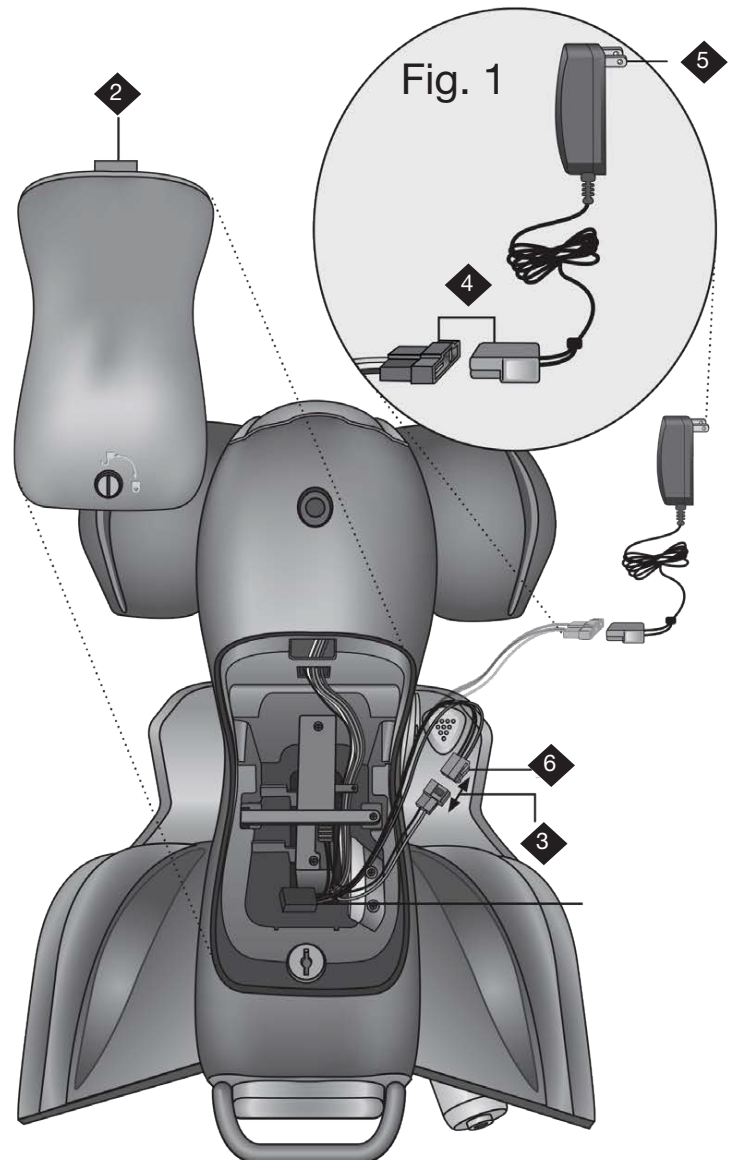
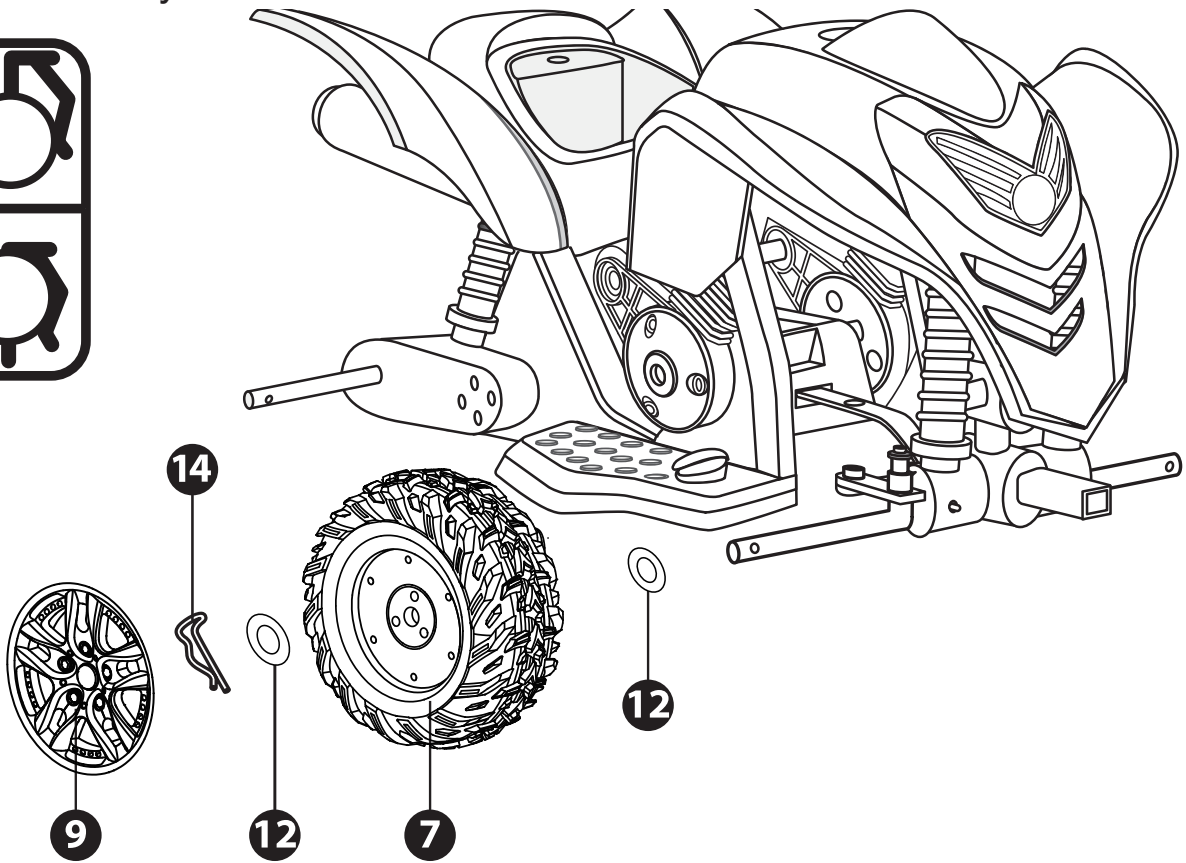
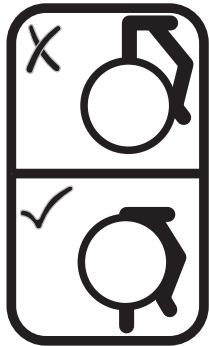


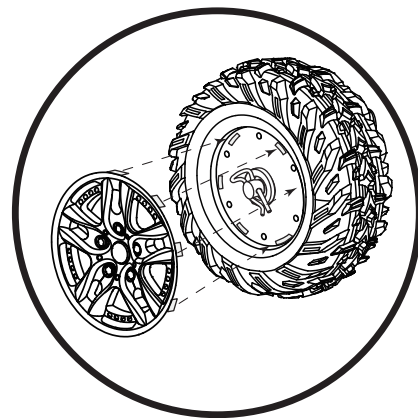
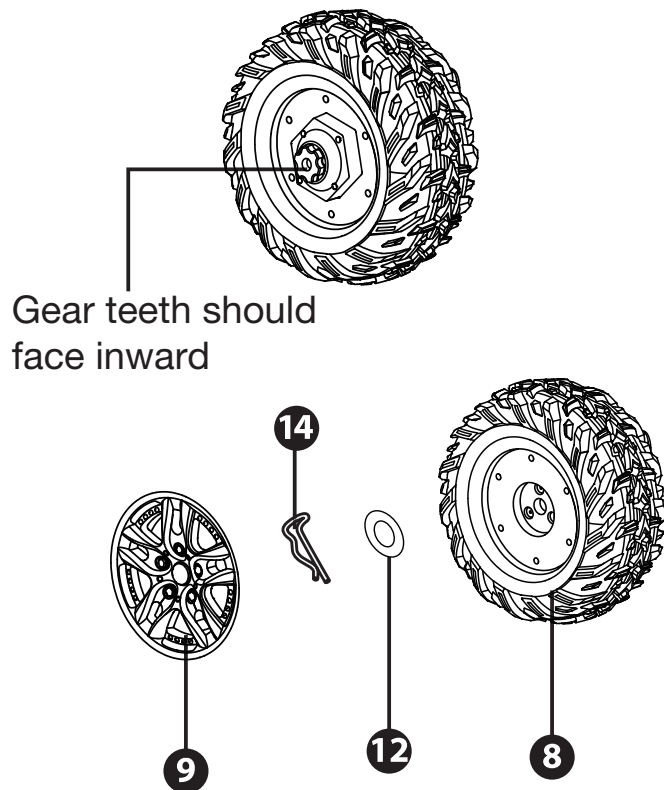
Fig. 2

Snap Pin Assembly



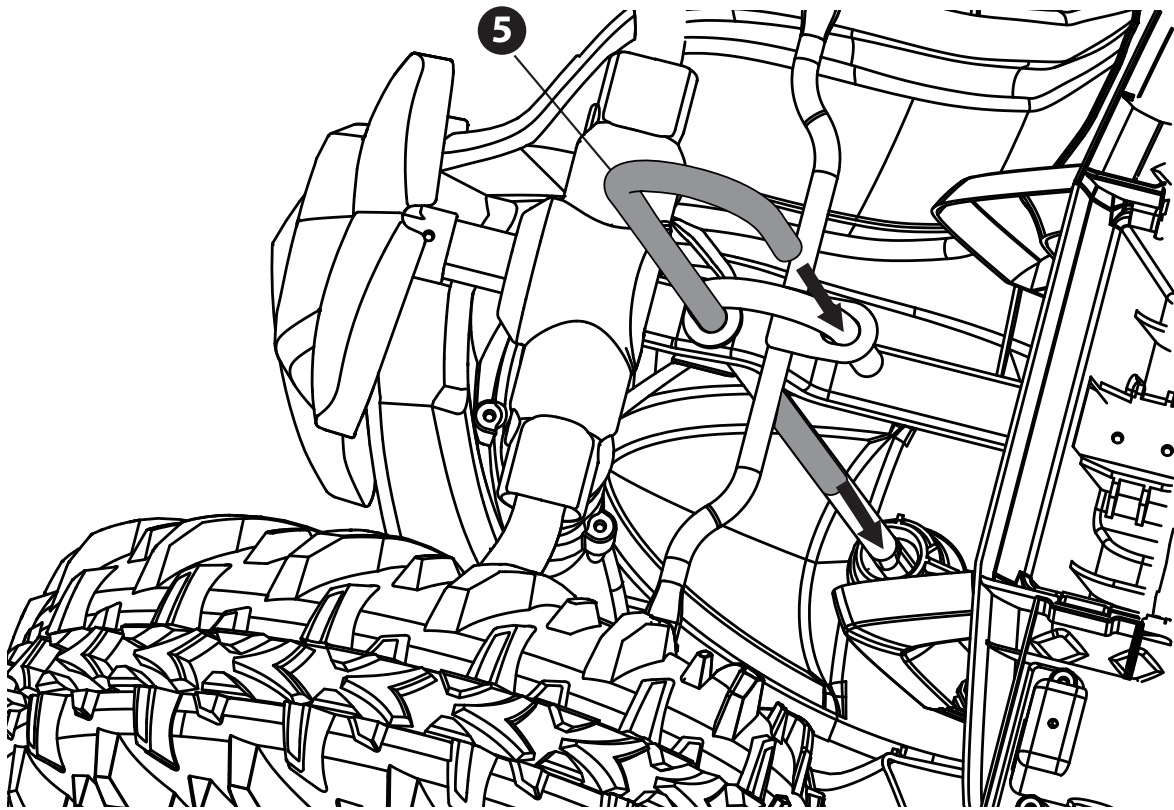
1. Remove the snap pin from the front axle, then slide a washer on the axle.
2. Slide the front wheel on the axle, make sure the gear teeth are facing in towards the vehicle. Then, slide another washer on the axle.
3. Slide a snap pin into the hole on the axle.
4. Snap a wheel cover onto the wheels, make sure the tabs and slots align. Note: If the wheel cover falls off, it may not have been snapped in all the way.
5. Repeat steps 1-4 for the remaining front wheel.

Assemble the Rear Wheels



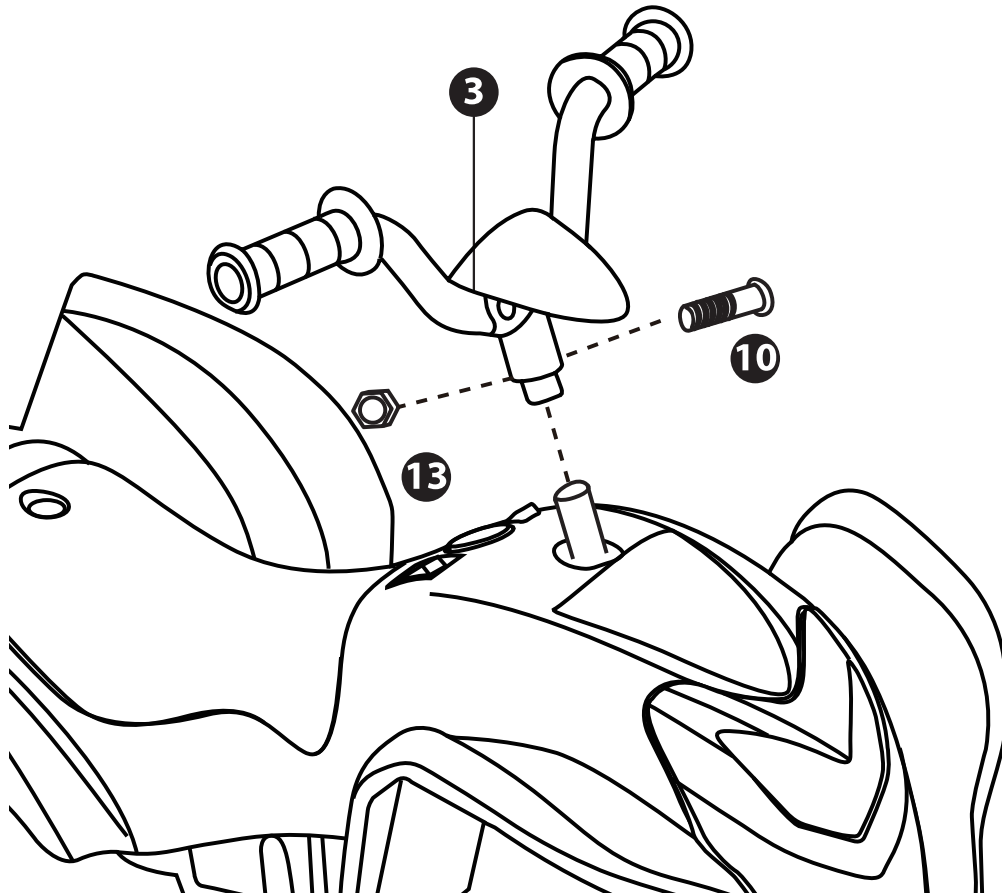
1. Remove the snap pin from the rear axle.
2. Slide the rear wheel on the axle with the gear teeth facing in.
3. For the left rear wheel, align the gear teeth on the wheel with the gear box on the axle.
4. Slide a washer on the axle.
5. Slide the snap pin through the holes on the axle.
6. Snap the wheel cover onto the wheel, make sure all four tabs and slots align.
7. Repeat for the other wheel.

Assemble the Steering Rod 11



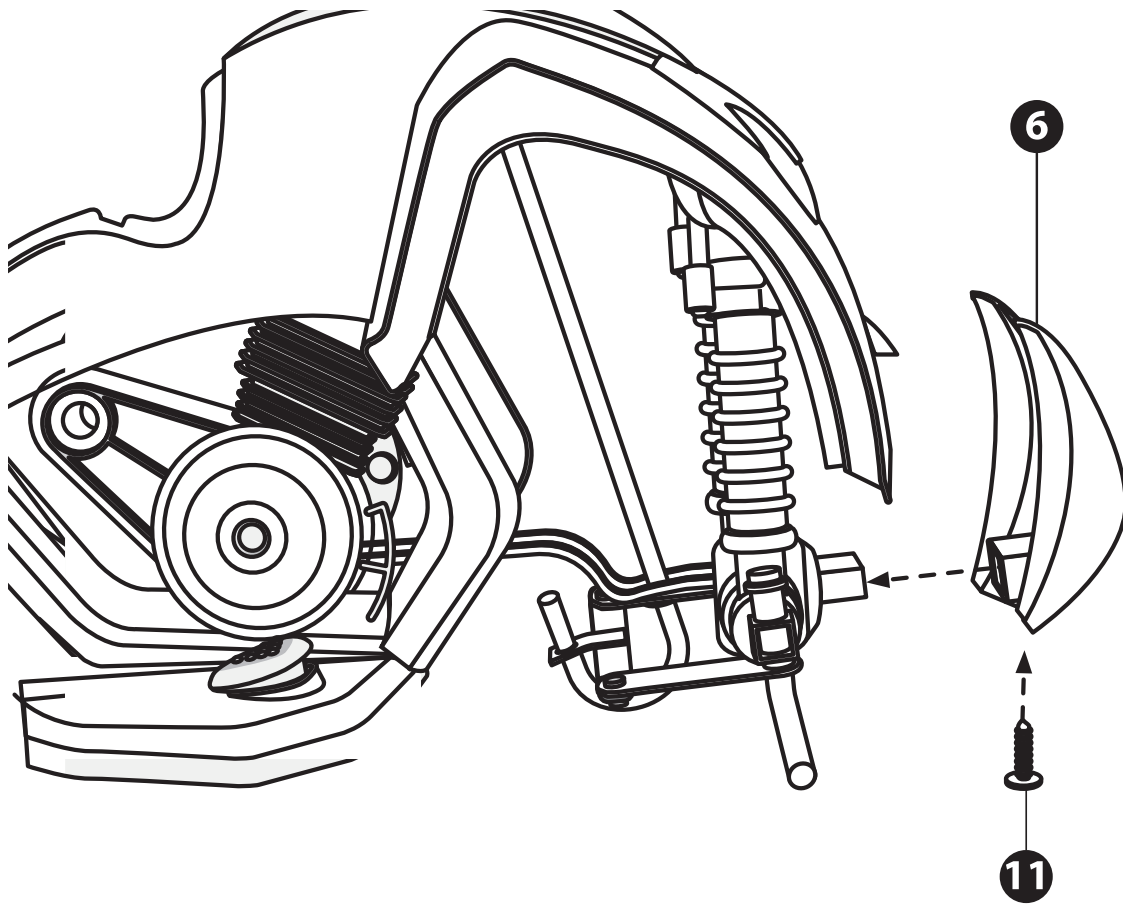
1. Gently flip the vehicle upside down.
2. Insert the straight end of the steering rod through the hole in the reinforcement bar and the hole in the vehicle body.
3. Insert the curved end of the steering rod into the metal tab of the reinforcement bar.

12 Attach the Handlebar



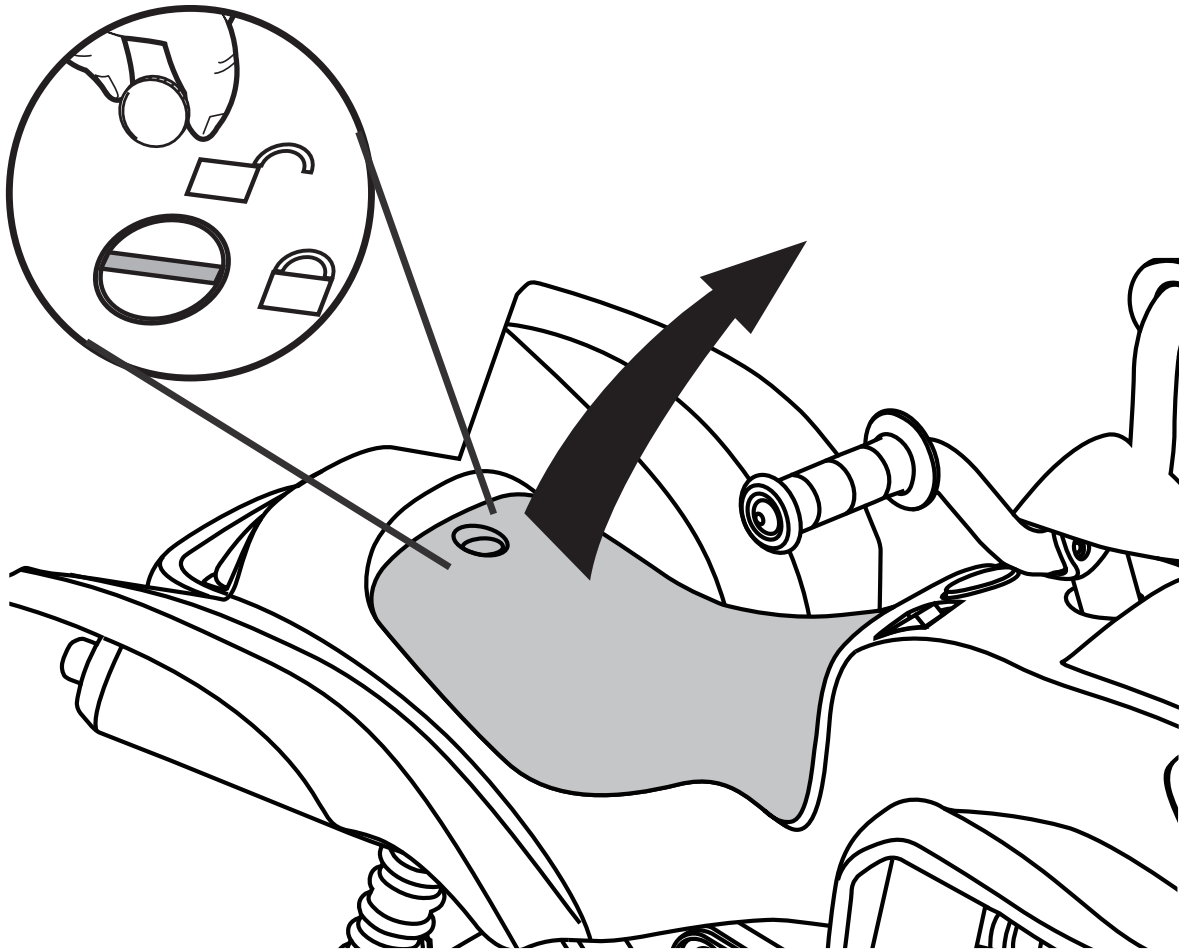
1. Insert the handlebar into the steering rod.
2. Align the hole on the handlebar with the hole on the steering rod.
3. Insert the handlebar screw through the hole and fasten with a nut and screwdriver.

Assemble the Front Bumper 13

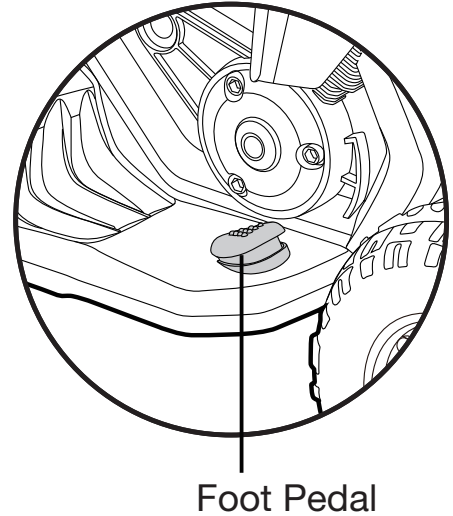
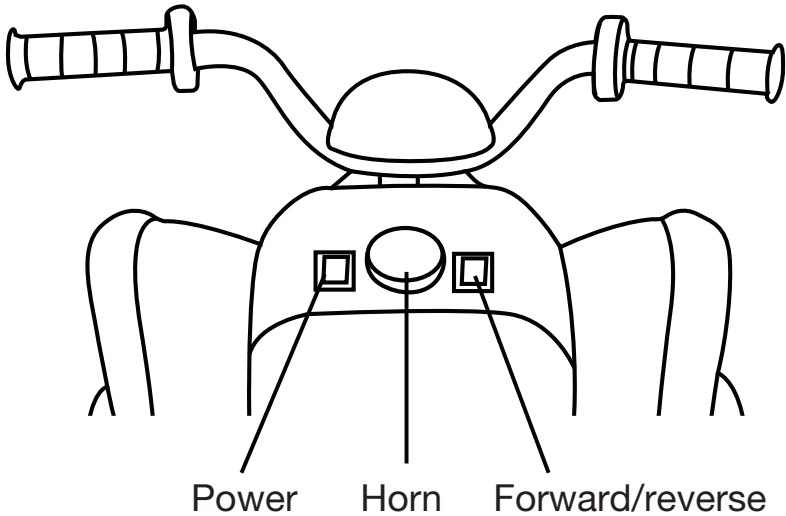


1. Insert the front bumper onto the support bar, aligning the hole on the front bumper with the hole on the support bar.
2. Insert a screw through the two holes and fasten with a screwdriver.

14 Attach the Seat



1. Make sure the seat lock is in the unlocked position.
2. Insert the front of the seat into the slot on the body.
3. Press down on the seat. Then, use a coin or screwdriver to turn the seat lock to the locked position.



Sit on the seat and turn on the power. To move forward, make sure the forward/reverse switch is set to forward, then press on the foot pedal. Switch the forward/reverse button to move in reverse.

Release the foot pedal to stop the vehicle.

Press the horn button to hear horn sounds.

16 Battery Maintenance

Important Battery and Charger Information

- Only an adult who has read and understands the safety warnings may handle and operate the battery and battery charger. Keep away from children.
- Charge the battery for 24 hours before using the vehicle for the first time.
- Recharge the battery immediately after each use. Charge for at least 8-12 hours, but no more than 20 hours.
- Charge the battery at least once a month, even if the vehicle is not used or stored.
- Never leave the battery in a discharged condition.
- Connect the terminal of the battery and charger, then plug the charger into a 120V AC outlet.
- It is normal for the charger to heat slightly. If the charger rises above 71°C / 160°F, disconnect the charger and call Customer Service for assistance.
- Keep the charger away from water or excessive moisture to prevent short-circuiting.
- Only use the charger specified with the original item. **Do not charge the battery with any other charger.**
- Do not attempt to recharge non-rechargeable batteries with the original charger.
- **Do not replace the battery with any other battery, or the warranty will be voided.** If you need a replacement battery, see Page 21 for replacement information.
- Remove damaged batteries from the car immediately. Recycle or dispose of the used batteries responsibly.
- Do not short circuit the supply terminals.
- Do not leave the battery connected in the vehicle for extended periods of time when the vehicle is not being used. Disconnect the battery connector from the engine connector before storing.
- The vehicle is equipped with a thermal fuse to protect the electric circuit. If the vehicle cuts out, turn the vehicle off and on to reset.

- Regularly inspect all vehicle parts to ensure they are in good working condition.
- Regularly inspect the charger, cord, plug, and other related parts for damage.
- Remove any damaged parts and immediately contact Customer Service for replacement parts. See Service and Repairs on Page 21 for more information.
- DO NOT operate the vehicle if there are any damaged parts.
- Carefully clean the vehicle with a damp cloth and mild soap. Do not get water in or near any electrical parts. Do not wash the vehicle with a hose.
- Store the vehicle indoors or use a tarp to cover it. Keep away from stoves, heaters, or other sources of heat.

18 Troubleshooting Guide

Completely read through the manual and troubleshooting guide before contacting Customer Service.

Problem	Potential Cause	Solution
Vehicle does not run	Battery is low	Recharge the battery
	Thermal fuse tripped	Reset fuse
	Snap pins are loose	Tighten snap pins
	Loose wires or loose connectors	Ensure the battery connectors are securely attached. If wires are loose, contact Customer Service
	Battery is dead	Call Customer Service
	Electrical system is damaged	Call Customer Service
	Motor is damaged	Call Customer Service
Vehicle only runs for a short time	Undercharged battery	Ensure a secure connection when the battery is recharging. Recharge for at least 8-12 hours
	Overcharged battery	Never charge the battery for more than 30 hours
	Battery is old	Replace battery
Vehicle runs slowly	Battery is not fully charged	Ensure a secure connection when the battery is recharging
	Battery is old	Call Customer Service to order replacement battery
	Too much weight on vehicle	Reduce weight on vehicle (35 kg / 77lb max)
	Harsh conditions	Operate the vehicle on level ground and safe surfaces

Problem	Potential Cause	Solution
Vehicle needs a push to start	Loose wires or loose connectors	Ensure the battery connectors are securely attached. If wires are loose, contact Customer Service
	“Dead spot” on motor	A “dead spot” means electricity is not being delivered to the terminal. Contact Customer Service
Difficulty shifting	Attempting to shift while vehicle is moving	Stop the vehicle before shifting
Motor or gear box making grinding noises	Motor or gear damage	Contact Customer Service
Battery will not recharge	Charger is not plugged in	Plug in the charger to a functional wall outlet
	Charger is not working	Call Customer Service
	Loose connector or loose adapter	Check that the connectors are securely plugged in to each other
Battery makes bubbling noise while recharging	This is normal	No action required
Charger is warm	This is normal	No action required

20 **FCC Information**

This device complies with part 15 of the FCC Rules. Operation is subject to the following two conditions: (1) this device may not cause harmful interference, and (2) this device must accept any interference received, including interference that may cause undesired operation.

This equipment has been tested and found to comply with the limits for a Class B digital device, pursuant to Part 15 of the FCC Rules. These limits are designed to provide reasonable protection against harmful interference in a residential installation.

This equipment generates, uses and can radiate radio frequency energy and, if not installed and used in accordance with the instructions, may cause harmful interference to radio communications. However, there is no guarantee that interference will not occur in a particular installation. If this equipment does cause harmful interference to radio or television reception, which can be determined by turning the equipment off and on, the user is encouraged to try to correct the interference by one or more of the following measures:

- Reorient or relocate the receiving antenna.
- Increase the distance between the equipment and the receiver.
- Consult dealer or an experienced radio/TV technician for help.
- Connect the equipment into an outlet on a circuit different from that to which the receiver is connected.
- Check the state or local requirements for the product before using the product.

Caution: Changes or modifications not expressly approved by the party responsible for compliance could void the user's authority to operate the equipment.

Before returning your product to the store, contact Rollplay with questions.

If your product requires service, repairs or replacement parts, please contact Rollplay Customer Service.

Hours: 9 AM - 5 PM (CST), Monday - Friday

Phone: 1-888-982-9309

Email: customerservice@rollplay.com

Web: www.rollplay.com

For a list of available replacement parts, please visit www.rollplay.com.

WE WILL REQUIRE PROOF OF PURCHASE. Please save your sales receipt or register your product at www.rollplay.com.

22 **Warranty**

Rollplay 6-Volt Limited Warranty

- One-year limited warranty from the date of purchase with proof of purchase from a Rollplay certified retailer.
- Six month limited warranty on the 6-Volt battery with proof of purchase from a Rollplay certified retailer.
- This one-year limited warranty covers the ride-on vehicle against defects in materials and workmanship to the original purchaser. **Proof of purchase receipt from a Rollplay certified reseller is required.**
- Rollplay ensures the original 6-Volt battery is warranted for 6 months from initial purchase of the vehicle from a certified retailer. Proof of purchase receipt required.
- This warranty covers normal use and does not cover the Rollplay vehicle or battery if deemed damaged by unreasonable use, modification, neglect, accident, abuse, misuse, improper service or other causes not arising out of defects in materials or workmanship. Evidence of any attempt at Customer repair will void this warranty.
- This warranty does not cover, and is not intended to exclude any liability on the part of Rollplay, whether under this warranty or implied by law for any indirect or consequential damages for breach of warranty. Some states may not allow the exclusion or limitation so this limitation may not apply to you.

Should you need service or assistance with your vehicle during the warranty period:

- Please do not return vehicle to the store.
 - Consult the troubleshooting guide in this manual and online at www.rollplay.com
- or
- Call Rollplay Customer Service at 1-888-982-9309

Note: This warranty gives you specific legal rights. You may also have other rights that may vary from state to state.

Please save your original sales receipt.

Fill out the form below and mail it to:

Rollplay Products
1131 W. Blackhawk St.
Second Floor
Chicago, IL 60642

OR fill out the form online at **www.rollplay.com**

We will use the information provided only for your warranty. We will not sell, rent or share your personal information.

Product Registration

First Name: _____ Last Name: _____ Title: _____

Address: _____

City: _____ State: _____ Zip Code: _____

Email: _____ Phone: _____

Date of Purchase: _____

The following product information is on the cover of the owner's manual.

Product Name: _____ Model Number: _____

Serial Number: _____ Retailer Place of Purchase: _____

