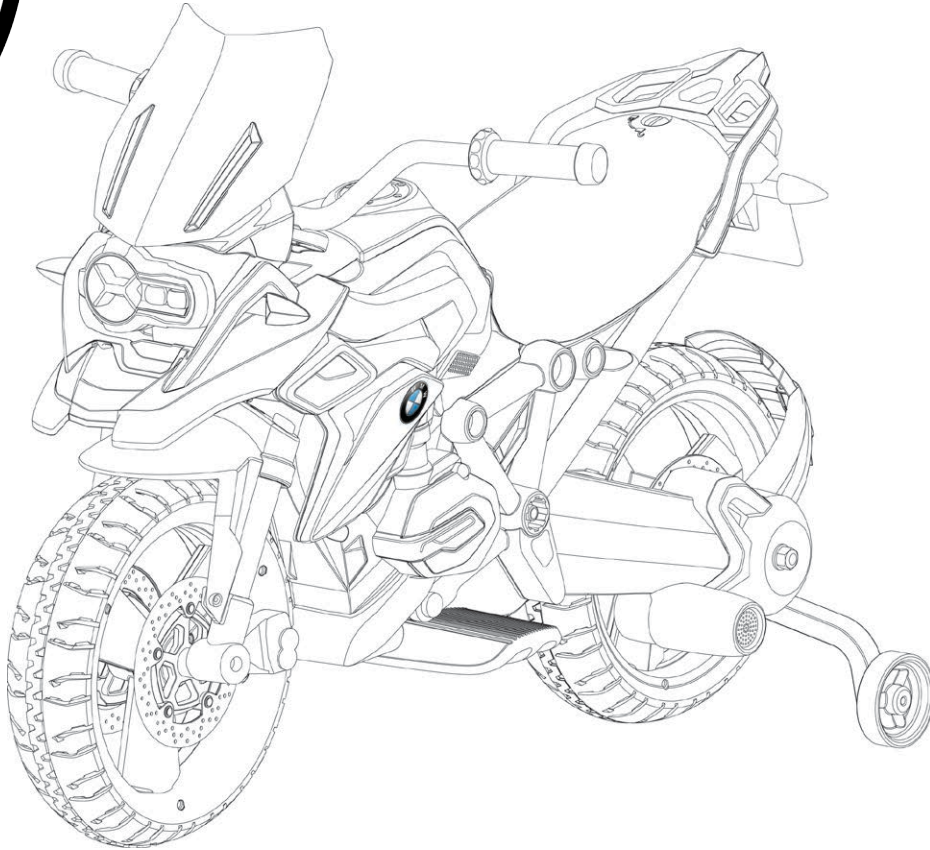




6V BMW Motorcycle



Owner's Manual and Assembly Instructions

Model #: W348AC

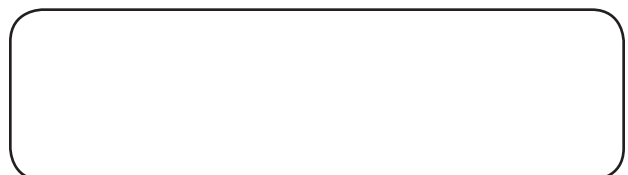
Read and understand the entire manual before assembly and operation. The vehicle must be assembled by an adult who has read and understands the instructions.

Made in China.

Styles and colours may vary. Do not return to store. Call 1-888-982-9309 for assistance and replacement parts.

IMPORTANT:

Save this manual with your sales receipt.



Introduction

Thank you for purchasing this Rollplay vehicle. We hope the rider enjoys it for miles to come. Please read this instruction guide carefully before assembling and operating the vehicle. Please have your model number and serial number ready before calling. Please have proof of purchase. Keep your sales receipt or register your product at www.rollplay.com.

Please contact Rollplay Customer Service with any questions.

Hours: 9 AM - 5 PM (CST), Monday - Friday

Phone: 1-888-982-9309

Email: customerservice@rollplay.com

Web: www.rollplay.com

Specifications:

BATTERY	6V 7AH
MOTOR	6V 20W
AGE	3 Years and Up
MAX WEIGHT	35 KG (77 lbs)
PRODUCT SIZE	101.5 x 57.5 x 68.5 cm ()
SPEED	4.0 km/h (2.5 MPH)
RECHARGE TIME	8-12 Hours
TYPICAL RUN TIME	1-2 Hours
CHARGER OUTPUT	DC 7.0V

IMPORTANT!

**YOU MUST CHARGE THE BATTERY
FOR 24 HOURS BEFORE FIRST USE!**

Charge the battery after each use.

Charge the battery at least once a month, even if the vehicle is not in use.

**DO NOT RETURN THIS ITEM
TO THE STORE!**

Call Customer Service if you need assistance or replacement parts. Please have your model number and serial number ready before calling. Please have proof of purchase. Keep your sales receipt or register your product at www.rollplay.com as we may require proof of purchase.

1-888-982-9309

**Read this entire manual to ensure
proper assembly and safe operation
of the vehicle.**

This page is intentionally left blank.

Safety	6
Parts	8
Charging Instructions	9
Assemble the Front Wheel	10
Assemble the Rear Fork	11
Assemble the Rear Wheel	12
Assemble the Support Wheels	13
Attach the Mud Guard	14
Attach the License Plate	15
Assemble the Handle Bars	16
Assemble the Windshield	17
Assemble the Baggage Rack	18
Attach the Exhaust Pipe	19
User Information	20
Maintenance	21
General Care	22
Troubleshooting Guide	23
FCC Information	25
Service and Repairs	26
Warranty	27
Product Registration	28



WARNING: SAFETY RIDING RULES

The user must follow all safety rules and guidelines, or serious injury or death may occur to the user.

- Always use common sense and safe practices when using the vehicle. The user must be at least 3 years old and weigh no more than 35 kg (77 lbs).
- This product contains small parts that are for adult assembly only. Keep small children away when assembling. Remove and dispose of all protective material and plastic bags before assembly.
- Riders must always wear a fitted helmet that complies with U.S. Consumer Product Safety Commission (CPSC) Standard 16 CFR 1203.
- Only sit on the seat in the vehicle.
- Do not allow more than one rider.
- Do not overload the vehicle. Do not remove the weight restriction decals.
- Do not pull the vehicle with another vehicle or similar device.
- Keep body parts such as hands, legs, hair and clothing away from moving parts. Moving parts can cause serious injury.
- Always wear shoes in the vehicle.
- Do not operate near streets or motor vehicles.
- Do not operate near drop-offs such as steps, steep inclines or hills. Operate on relatively level ground.
- Do not operate near water, swimming pools or other fluids.
- Do not operate in dangerous weather conditions such as rain or snow.
- Do not operate near loose dirt, mud, sand or fine gravel.
- Do not operate near flammable vapors (gasoline, paint thinner, acetone, etc.).
- Always use the vehicle in a safe, secure environment with adult supervision.
- Adult assembly required.

PREVENT INJURIES AND DEATHS:

NEVER LEAVE CHILD UNATTENDED. ALWAYS keep child in view when child is in vehicle. Direct adult supervision is **REQUIRED**.

NEVER use in roadways, near cars, on or near steep inclines or steps, swimming pools or other bodies of water.

ALWAYS wear shoes

ALWAYS sit on the seat

RISK OF FIRE. Do not bypass.

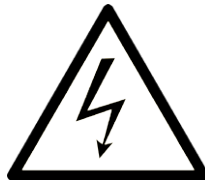


WARNING: BATTERY SAFETY

- Battery posts, terminals and related accessories contain lead and lead compound (acid) chemicals known to the state of California to cause cancer, reproductive harm, and are toxic and corrosive. DO NOT open the battery.



- Contact exposure to battery leakage (lead acid) may cause serious injury. Immediately contact your doctor if exposure occurs. If the chemical is on the skin, flush immediately with cool water for 15 minutes. If the chemical is swallowed, immediately give the person water or milk. Do not give water or milk if the person is vomiting or has decreased alertness. Do not induce vomiting.



- Tampering with or modifying the electric circuit system may cause shock, fire or explosion. It could permanently damage the system. Keep the charger housing closed to prevent exposed wiring, which may cause electric shock.

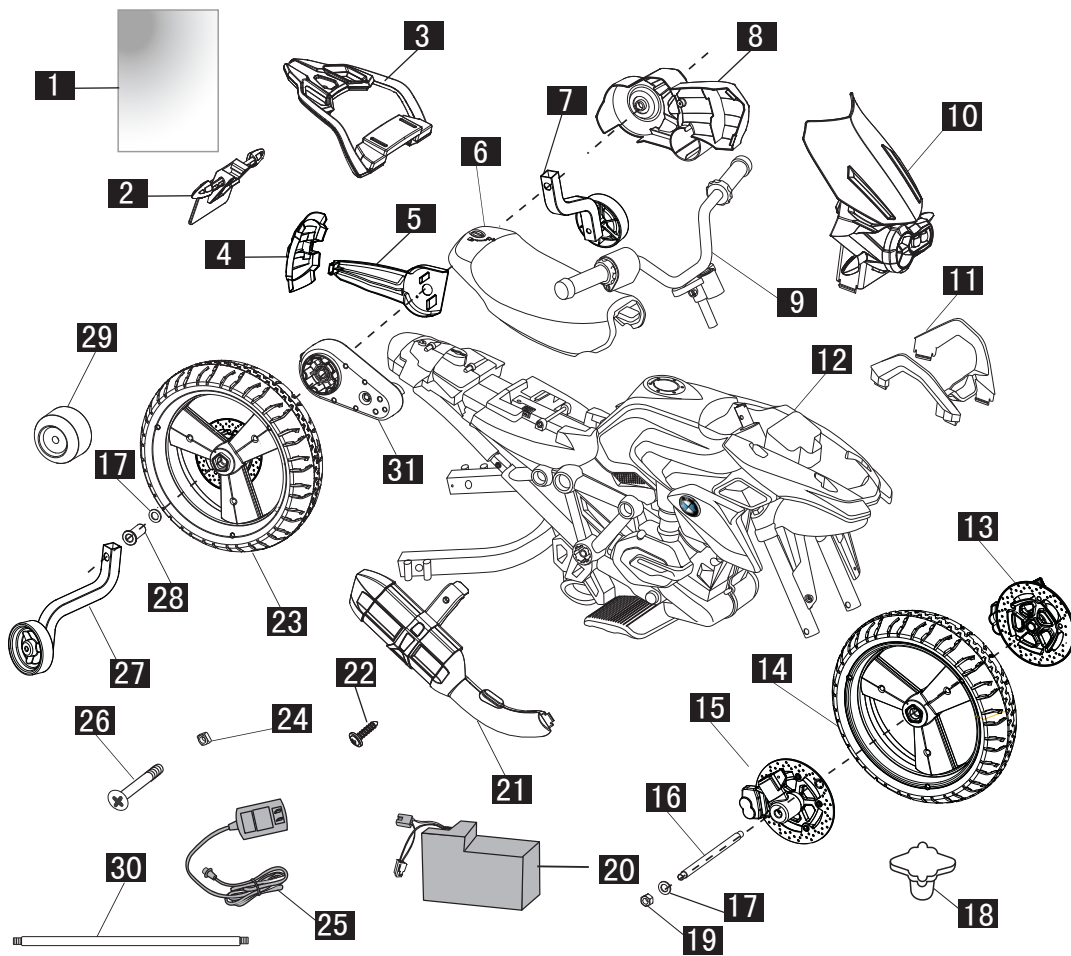
IMPORTANT: Before using the vehicle for the first time, the battery must be charged for a full 24 hours (no more than 30 hours).



WARNING: ADULT SUPERVISION REQUIRED

- Before using the vehicle, the rider must understand the vehicle controls and safety issues.
- It is the responsibility of the adult to educate the child and to determine if the child is capable of understanding the vehicle controls.
- An adult must ALWAYS directly supervise the use of this vehicle.
- NEVER leave a child unsupervised in the vehicle.

8 Parts



- | | | |
|-------------------------|----------------------------|-------------------------|
| 1. Manual | 14. Front Wheel | 27. Right Support Wheel |
| 2. License Plate | 15. Right Brake | 28. Inner Wheel Spacer |
| 3. Baggage Rack | 16. Front Axle | 29. Rear Axle Cover |
| 4. Rear Mud Guard | 17. Washers (5) | 30. Rear Axle |
| 5. Rear Wing Bracket | 18. Wrench | 31. Gear Box |
| 6. Seat | 19. Hexagon Nut (4) | |
| 7. Left Support Wheel | 20. Battery | |
| 8. Rear Shield | 21. Exhaust Pipe | |
| 9. Handlebar | 22. Self Tapping Screw (6) | |
| 10. Windshield Assembly | 23. Rear Wheel | |
| 11. Front Bracket | 24. Square Nut | |
| 12. Motorcycle Body | 25. Charger | |
| 13. Left Brake | 26. Steering Wheel Screw | |

Not Included:



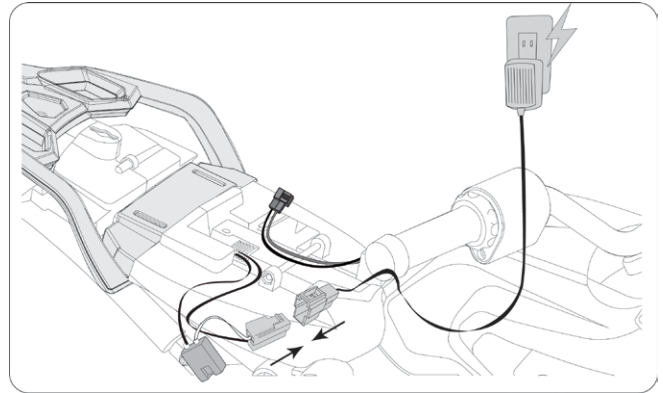
- Phillips screwdriver

YOU MUST CHARGE THE BATTERY FOR 24 HOURS BEFORE THE FIRST USE!

ONLY AN ADULT SHOULD HANDLE THE BATTERY AND CHARGER.

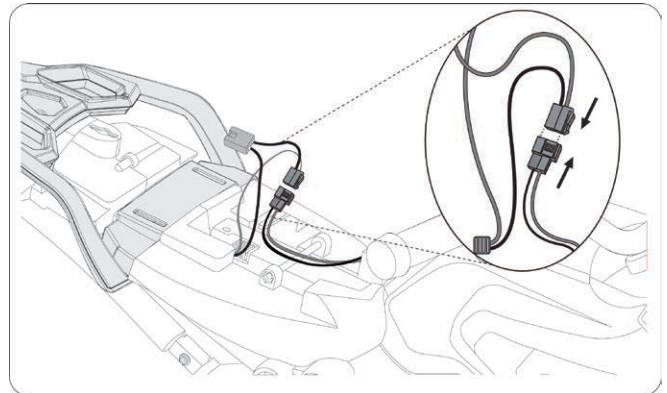
To Charge the Battery:

1. Ensure the vehicle is stopped and turned off.
2. Unlock and remove the seat.
3. Unplug the red battery connector from the red engine connector.
4. Connect the red battery connector to the red battery charger connector.
5. Plug into a 120 V outlet.



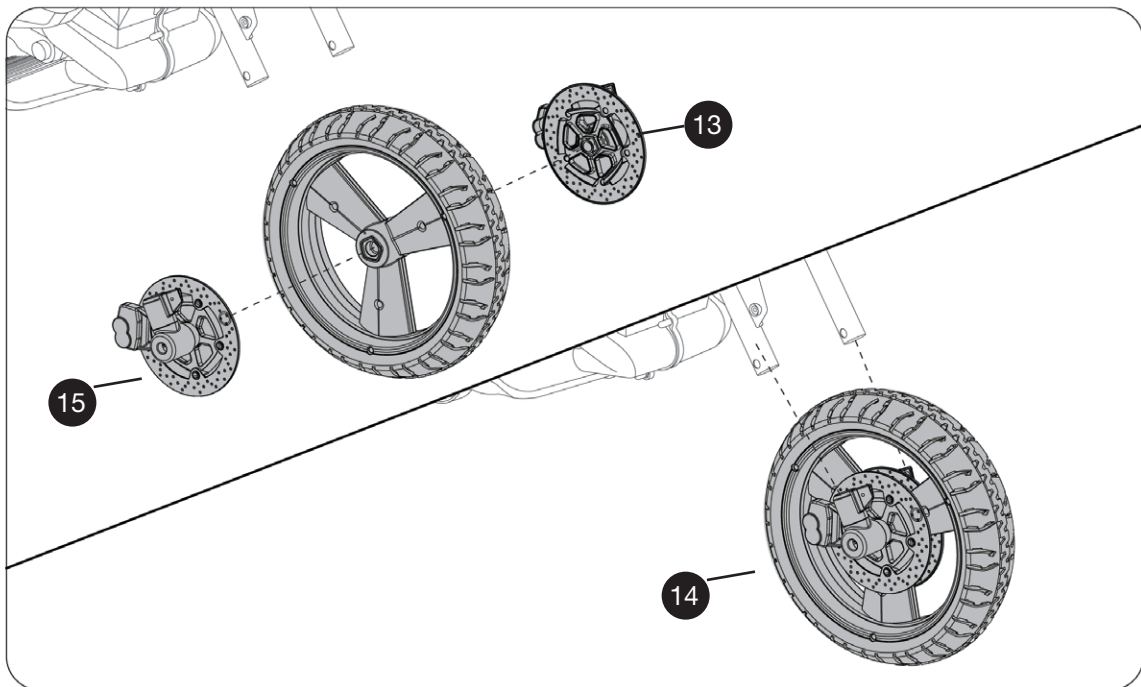
To Unplug the Battery:

6. Unplug the battery charger from the outlet.
7. Unplug the red battery connector.
8. Reconnect the red battery connector to the red engine connector.
9. Replace the seat and tighten lock.

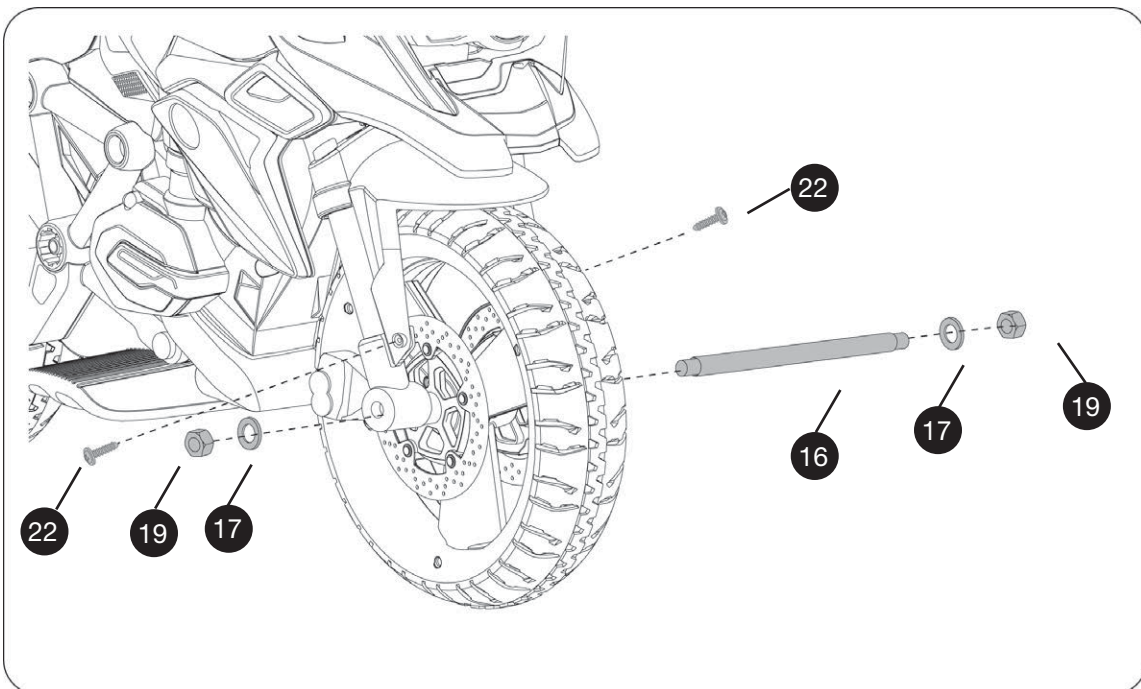


Note: It is not necessary to remove the battery for charging. However, if the battery does not reach the outlet, it can be removed for charging by disconnecting the red engine connector from the red battery connector, loosening the screw on the left side of the battery bar, removing the battery bar, and then removing the battery.

10 Assemble the Front Wheel



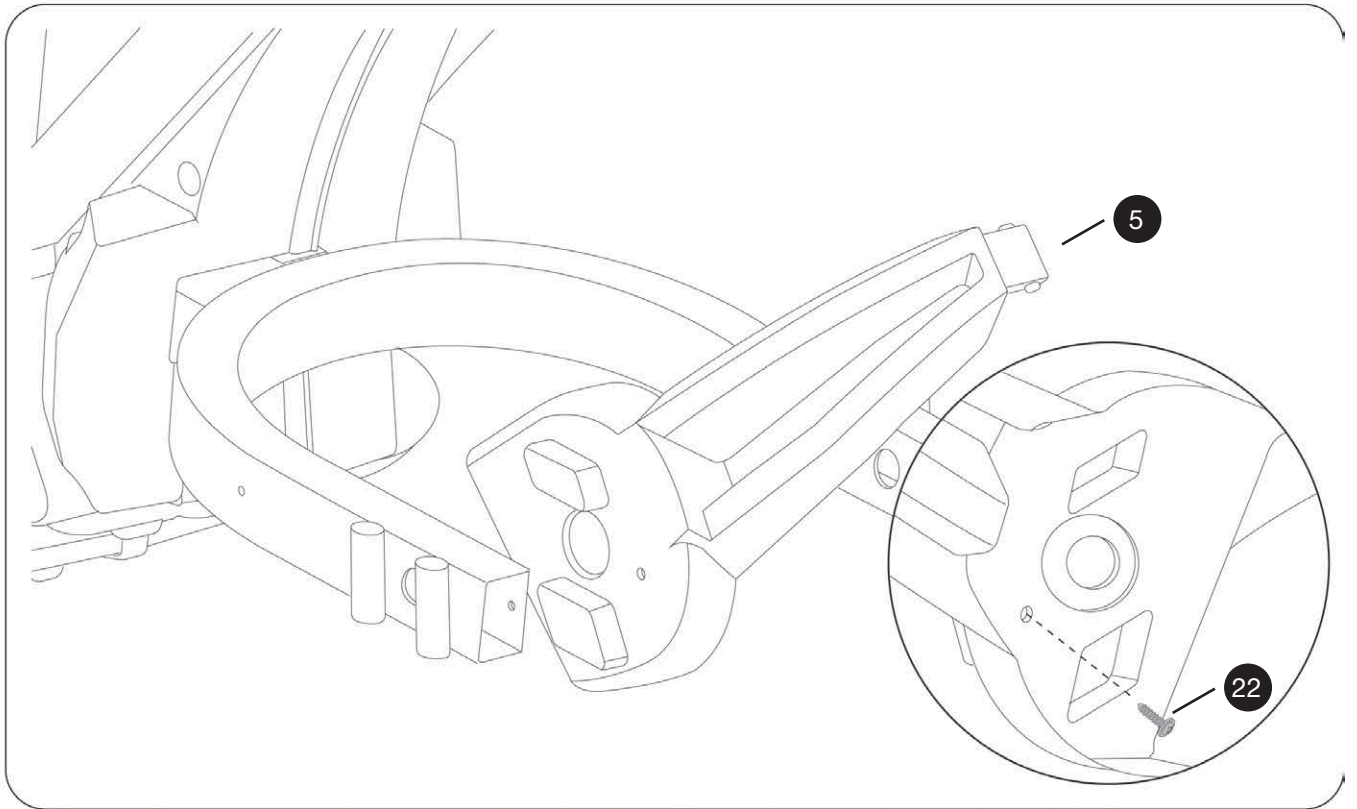
1. Place the left (13) and right brake (15) onto either sides of the front wheel (14).
2. Slide the front wheel assembly into the front fork.
3. Align the holes on the brakes with the holes on the front fork. Insert a self tapping



screw (22) into both holes on the fork to secure the wheel.

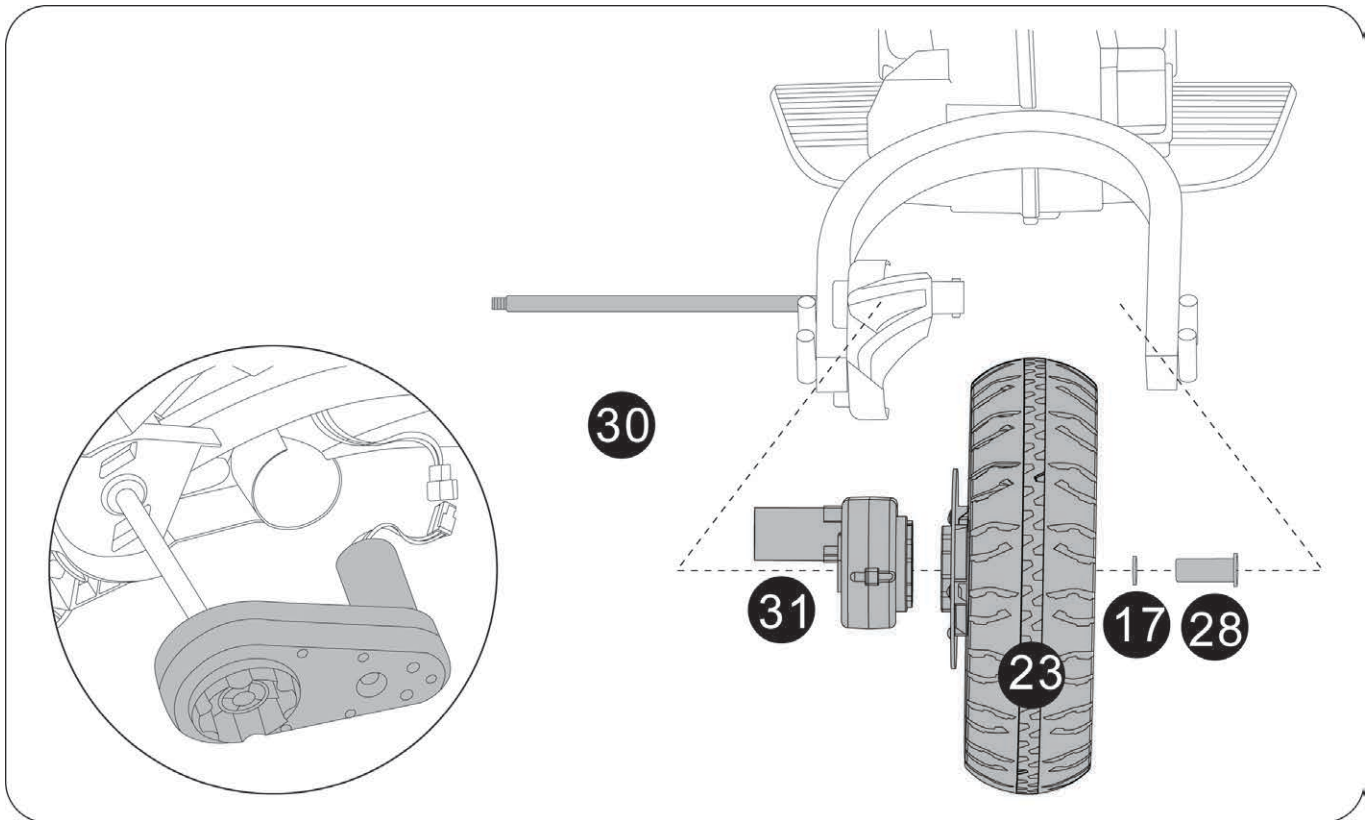
4. Insert the front axle (16) through the front fork and front wheel assembly.
5. Slide one washer (17) on both sides of the front axle.
6. Secure the washers with a hexagon nut (19) on both sides of the axle. Use a wrench (18) to tighten.

Assemble the Rear Fork 11

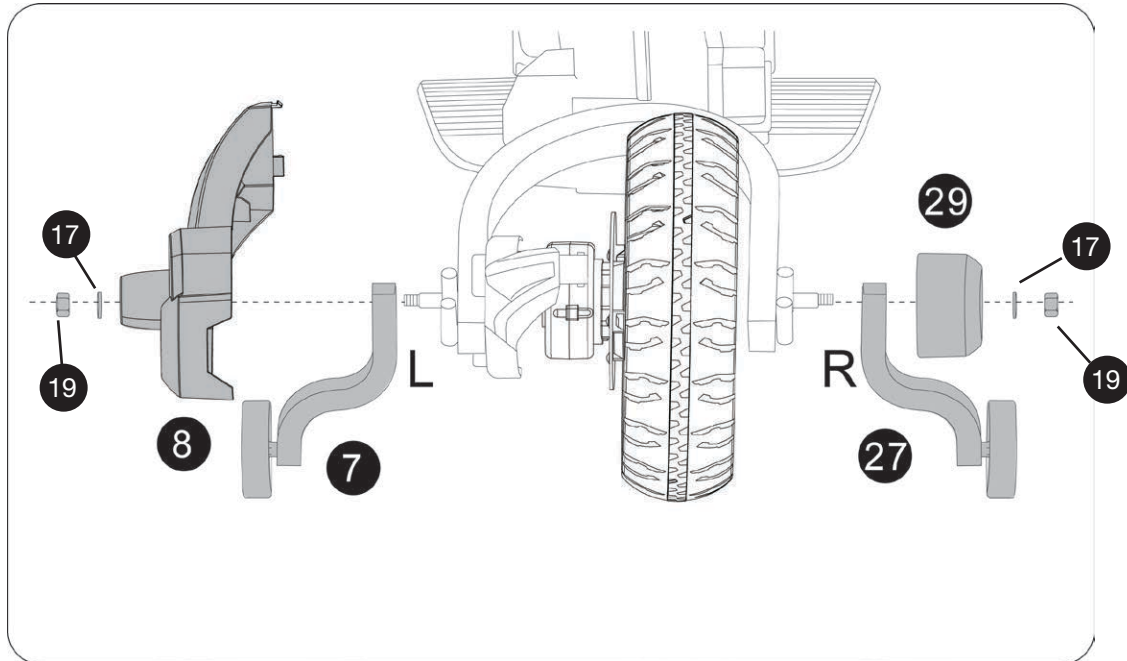


1. Align the slot on the rear wing bracket (5) with the inner side of the rear fork
2. Insert a self tapping screw (22) through the wing bracket and rear fork to secure

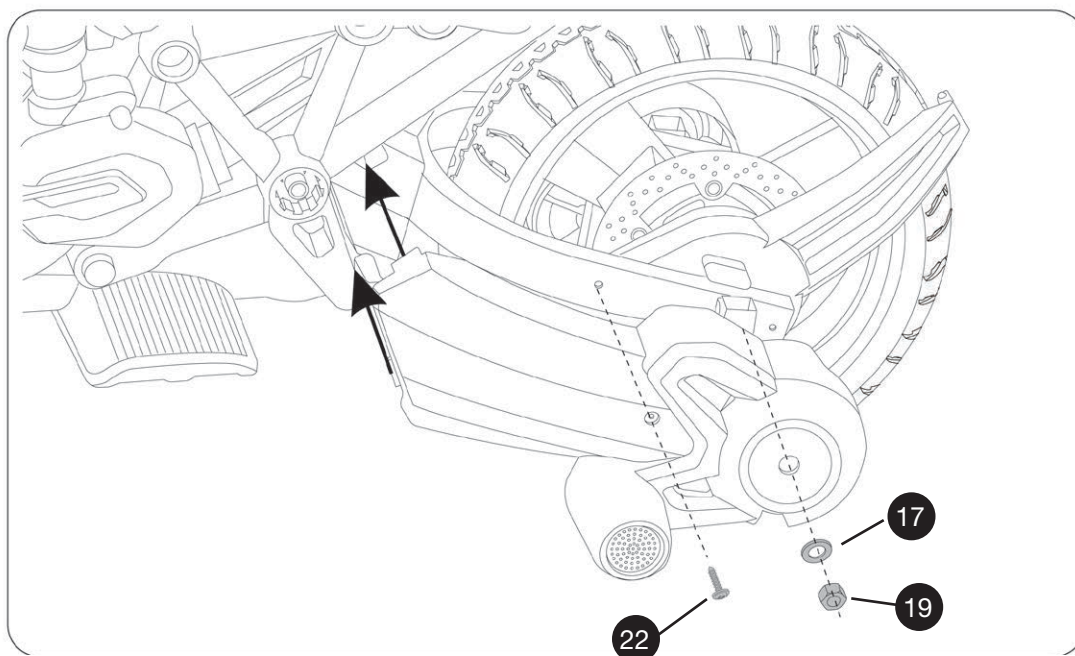
12 Assemble the Rear Wheel



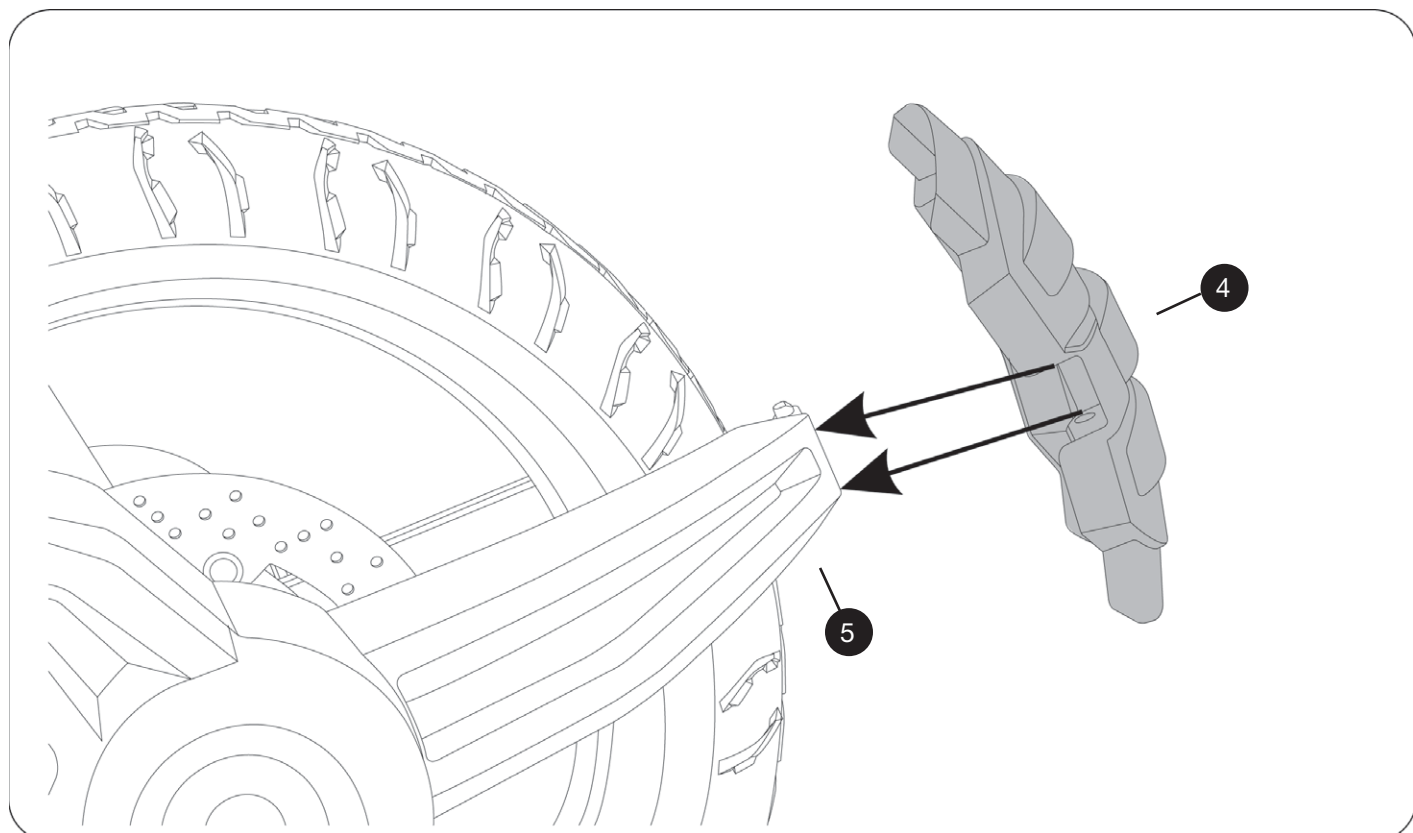
1. Insert the rear axle (30) into the left hole of the rear fork. Do not slide all the way through.
2. Slide the gear box (31) onto the rear axle. Connect the white connector on the gear box with the white engine connector.
3. Slide the protruding side of the rear wheel (23) onto the axle. Ensure it is fully engaged with the gear box.
4. Slide the washer (17) and inner wheel spacer (28) onto the axle, and then slide the axle through the rest of the rear fork.



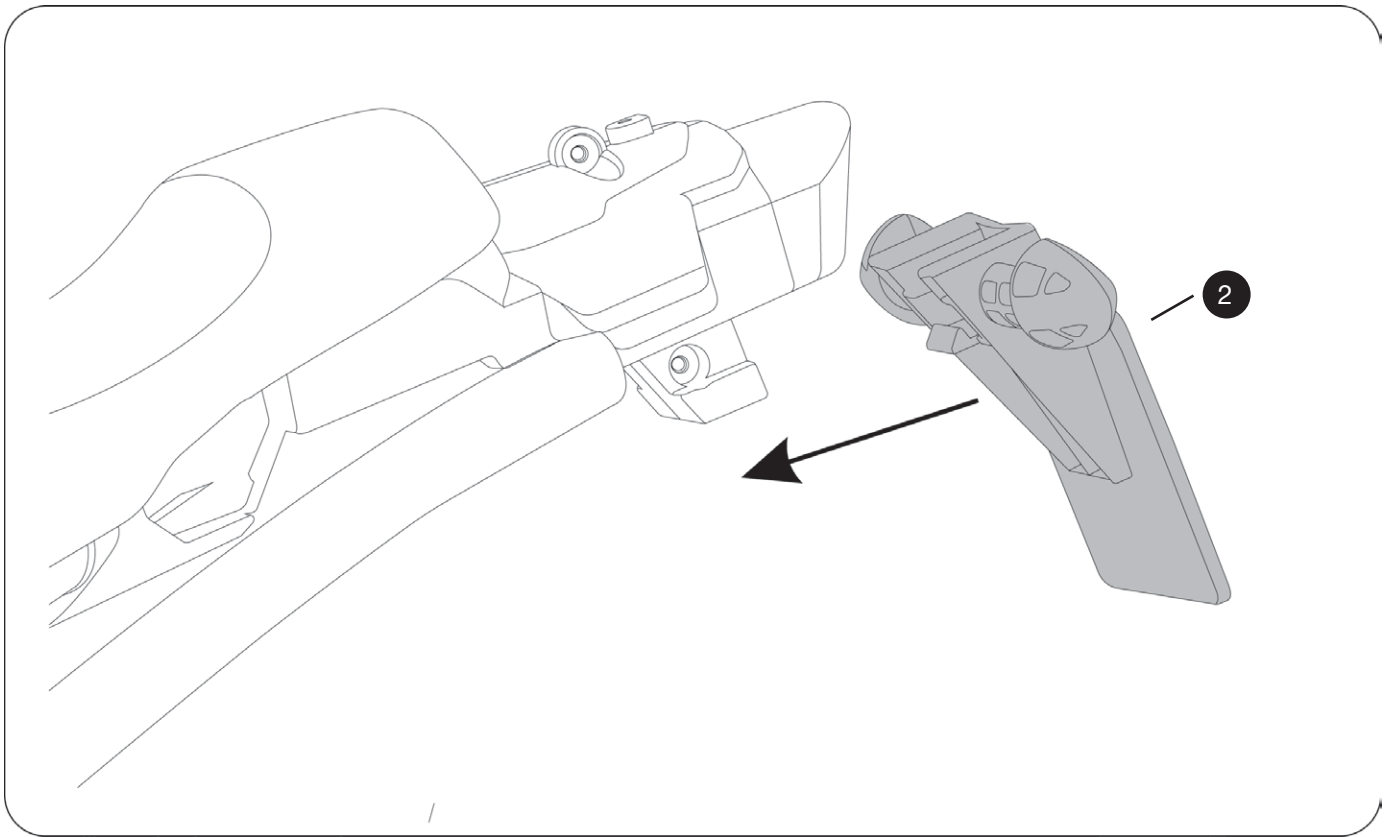
1. Slide the left support wheel (7) onto the left side of the rear axle.
2. Slide the right support wheel (27) onto the right side of the rear axle.
3. Slide the rear shield (8) onto the left side of the rear axle. Align the slots on the rear shield with the protrusions on the left fork and snap into place. Ensure the silver cylinder on the gearbox fits into the bottom hole of the rear shield.
4. Insert a screw (22) into the screwhole on the rear shield and tighten with a screwdriver.
5. Slide a washer (17) and hexagon nut (19) on both sides of the rear axle. Tighten both sides with a wrench (18).



14 Attach the Mud Guard

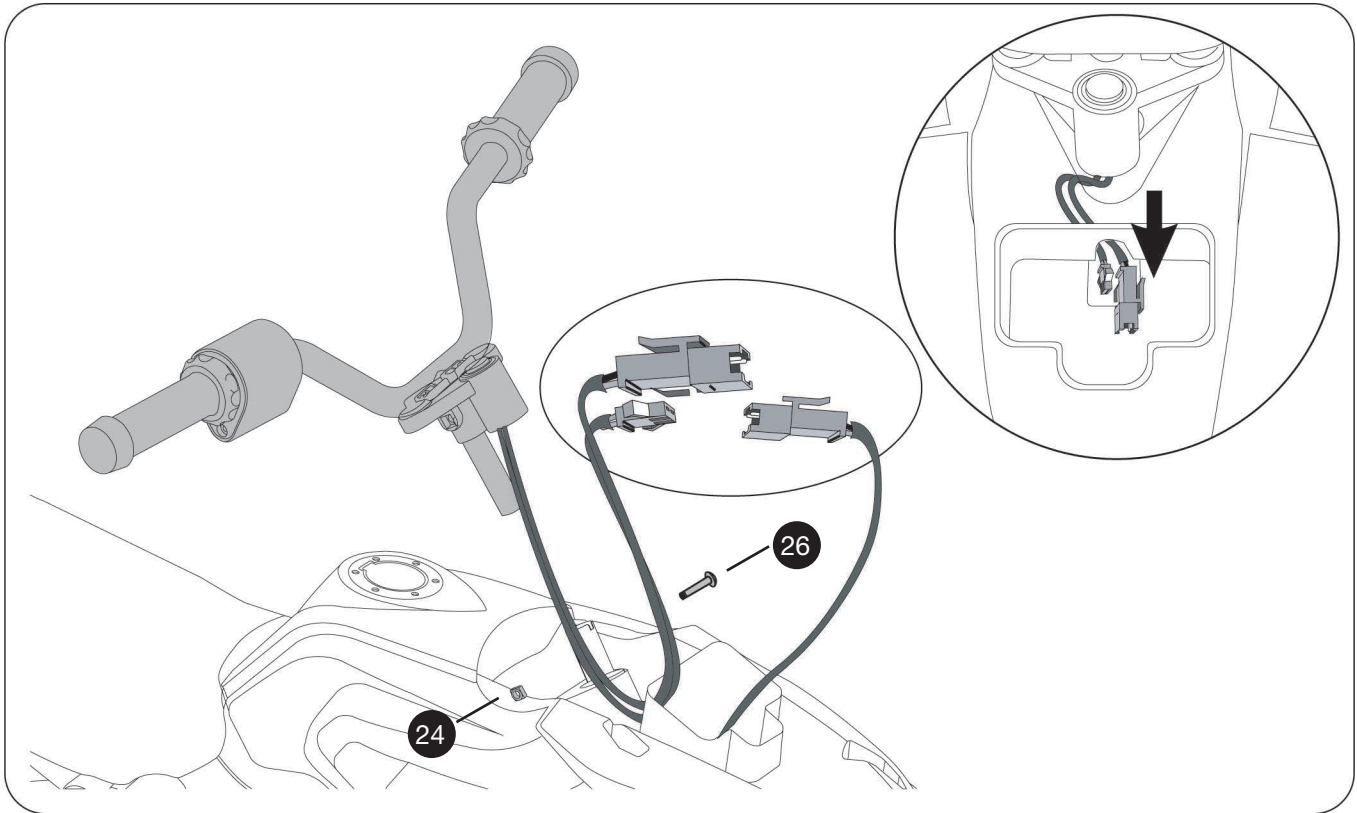


1. Align the slot on the back of the mud guard (4) with the back of the rear wing bracket (5).
2. Snap the mud guard onto the rear wing bracket.



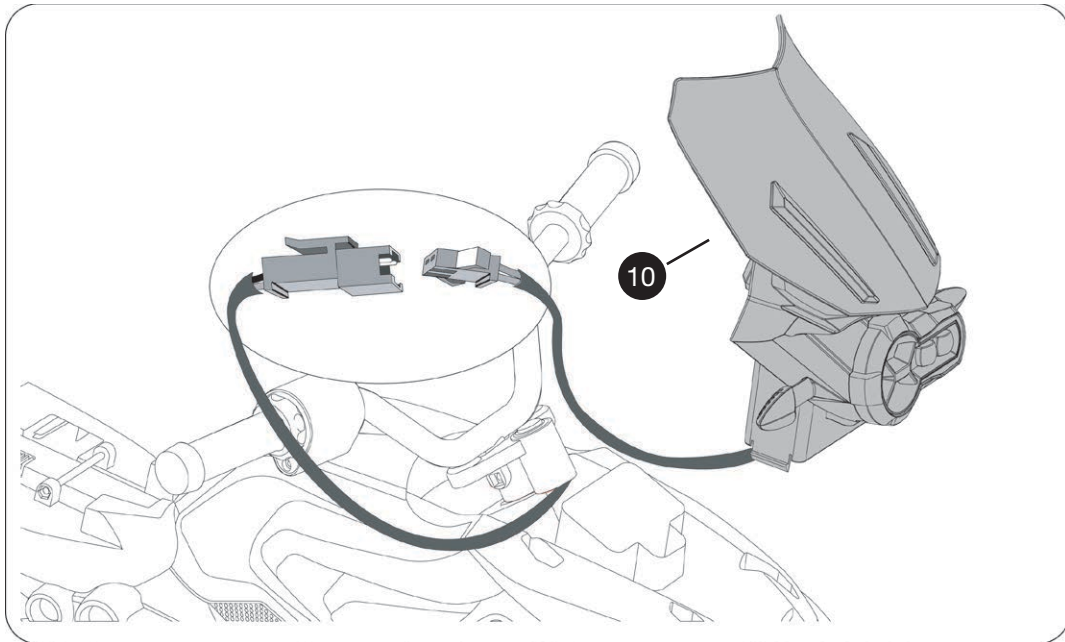
1. Align the top of the license plate (2) with the slot on the bottom of the back of the motorcycle body.
2. Slide the license plate onto the slot until it snaps into place.

16 Assemble the Handle Bars

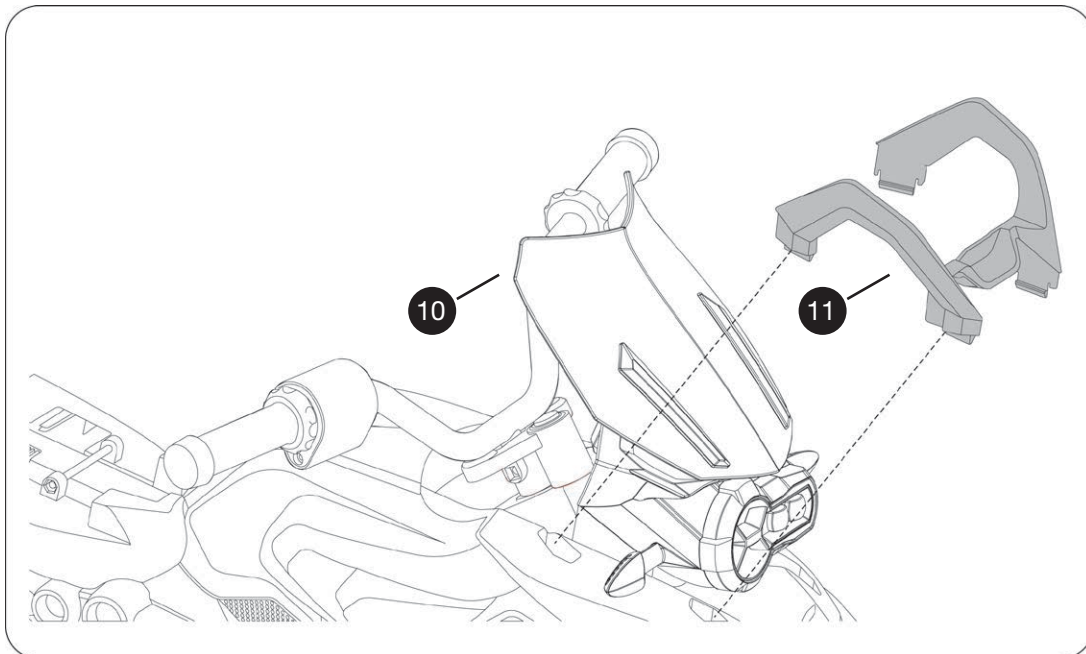


1. Remove the screw (26) and nut (24) from the steering axle.
2. Slide the handle bars (9) onto the steering axle. Ensure the holes on the handle bars align with the holes on the steering axle.
3. Insert the screw and nut into the handle bar assembly and tighten with a screwdriver.
4. Carefully slide the handle bar wire connector into the wire compartment where the motorcycle wire connector is located.

Assemble the Windshield 17

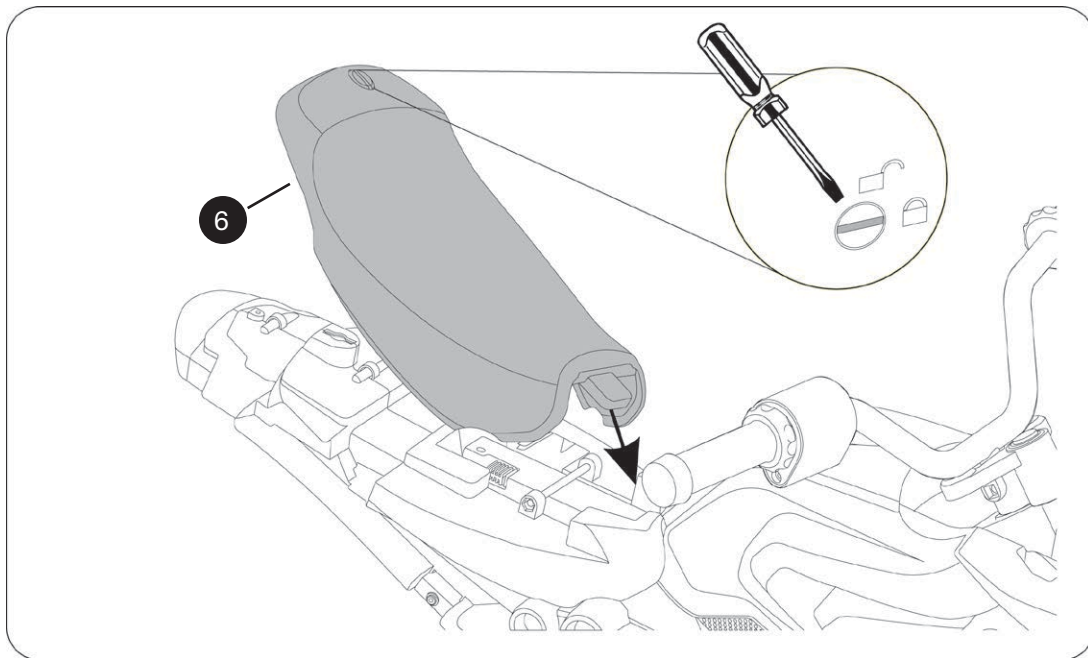


1. Connect the handle bar wire connector to the motorcycle body wire connector.
2. Align the windshield assembly (10) with the slots on the wire compartment and snap into place taking care not to damage the wires in the process.

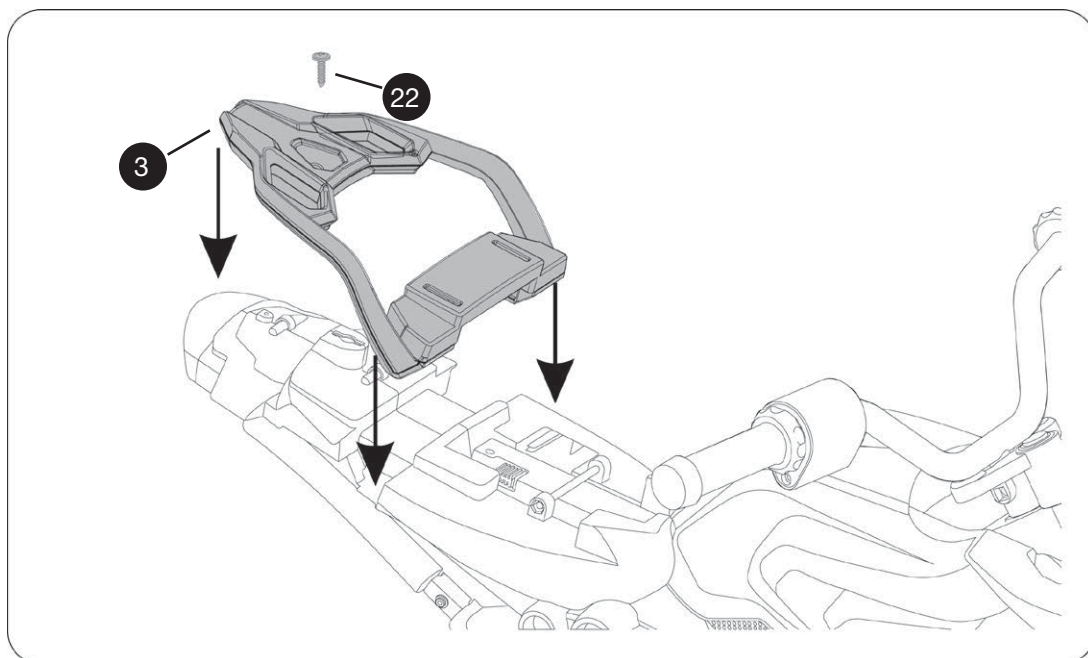


1. Align the front bracket (11) with the four slots on the sides of the windshield (10).
2. Snap the bracket into place.

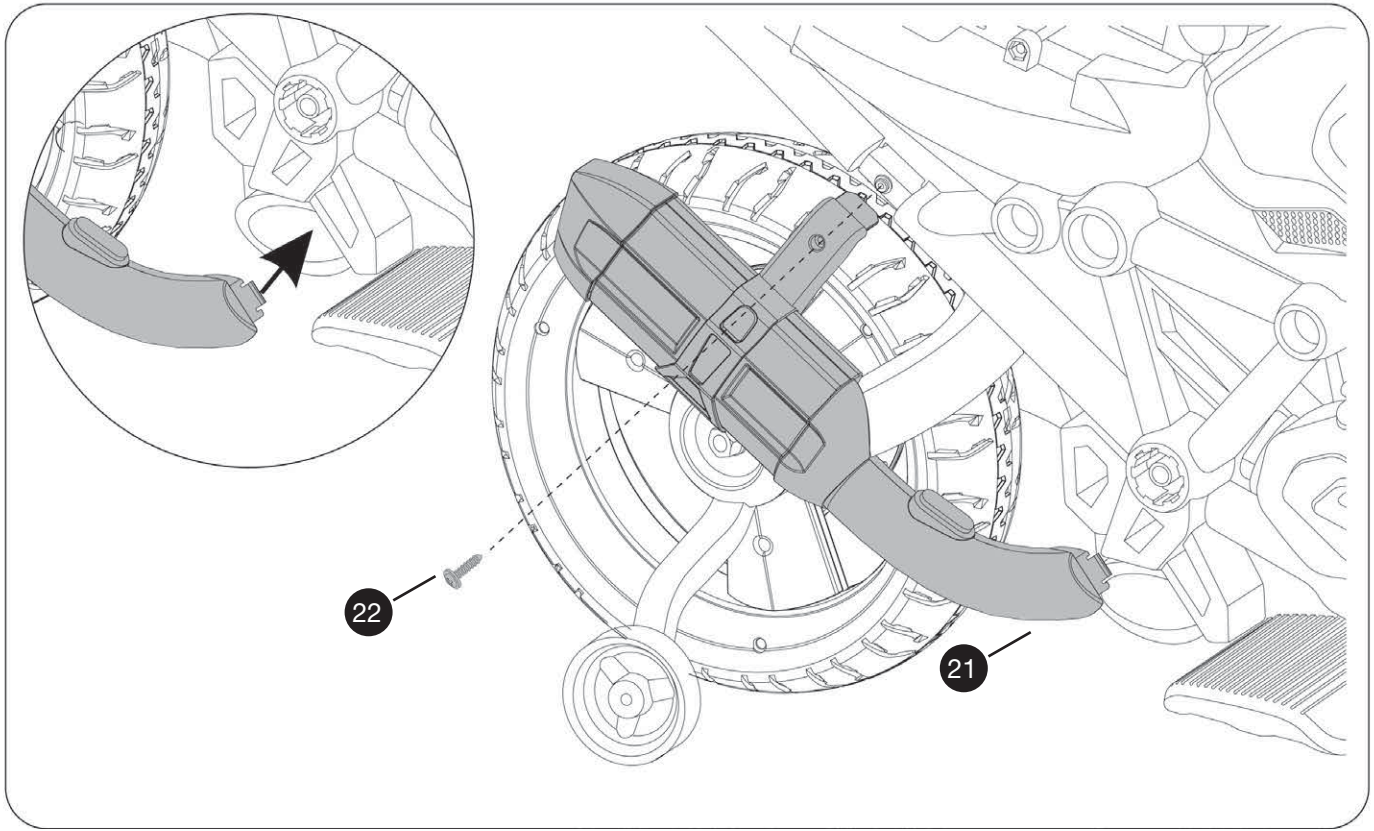
18 Assemble the Baggage Rack



1. Using a flathead screw driver, turn the seat lock to the unlock position.
2. Remove the seat (6) by lifting on the back of the seat.

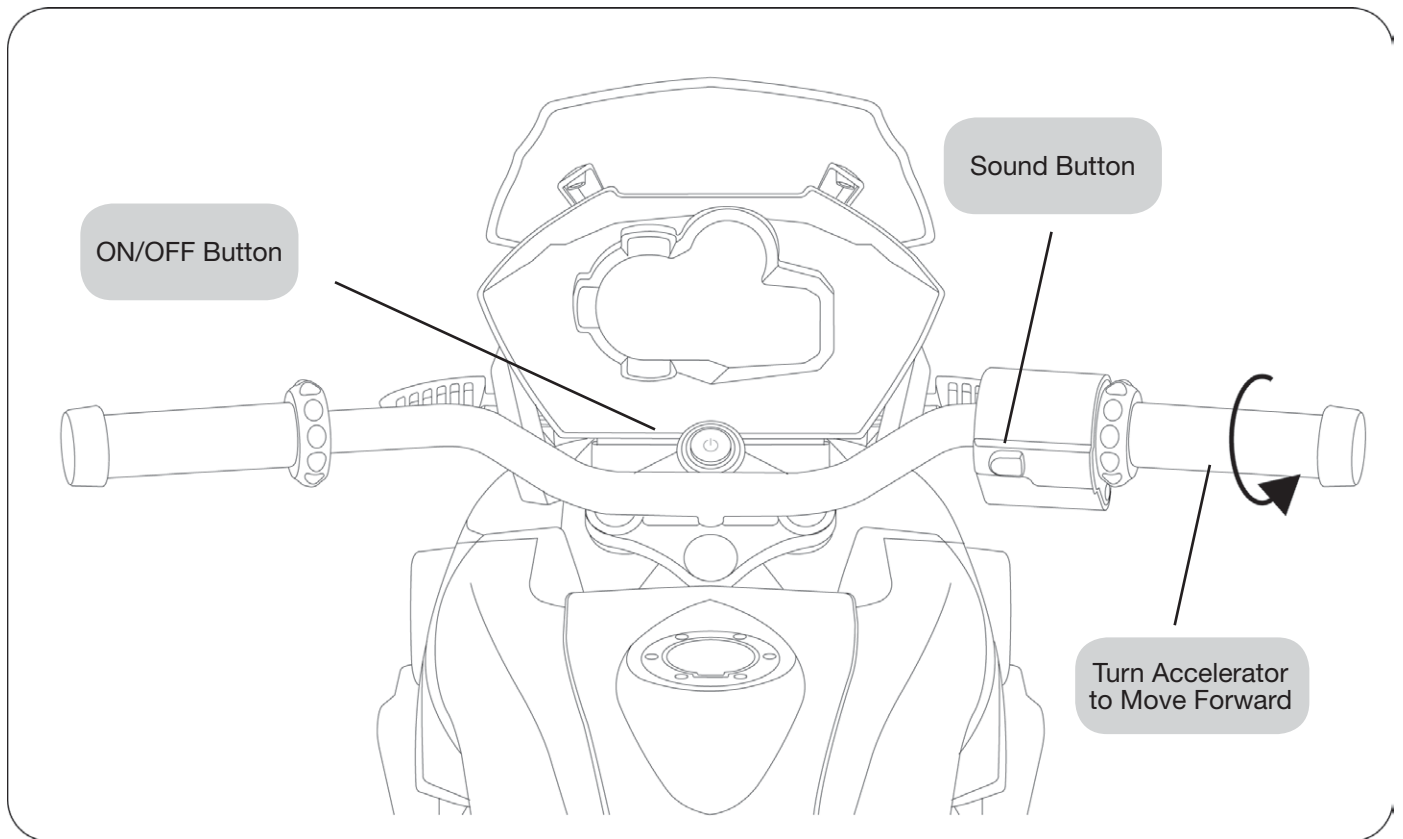


1. Align the front bar of the baggage rack (3) with the gap on the rear of the battery compartment and snap into place.
2. Insert a self-tapping screw (22) into the hole on the back of the baggage rack to secure.
3. Ensure the red connector on the battery is connected to the red engine connector before replacing and locking the seat.



1. Align the top and front of the exhaust pipe (21) with the slots on the right side of the motorcycle body and snap into place.
2. Use a self-tapping screw (22) to secure.

20 User Information



1. **Battery:** Charge the battery a full 24 hours before first use. Charge the battery for 8-12 hours each additional recharge.
2. **ON:** Press the power button on the front of the motorcycle dashboard to turn ON the motorcycle. The motorcycle will make a revving noise when it is turned ON
3. **OFF:** Press the power button again to turn OFF the motorcycle
4. **Sounds:** Press the red button on the right handlebar to hear a horn sound
5. **Forward:** Twist the right handlebar to move forward
6. **Lights:** The headlight will turn on when the motorcycle is in motion

Important Battery and Charger Information

- Only an adult who has read and understands the safety warnings may handle and operate the battery and battery charger. Keep away from children.
- Charge the battery for 24 hours before using the vehicle for the first time.
- Recharge the battery immediately after each use. Charge for at least 8-12 hours, but no more than 20 hours.
- Charge the battery at least once a month, even if the vehicle is not used or stored.
- Never leave the battery in a discharged condition.
- Connect the terminal of the battery and charger, then plug the charger into a 120V AC outlet.
- It is normal for the charger to heat slightly. If the charger rises above 71°C / 160°F, disconnect the charger and call Customer Service for assistance.
- Keep the charger away from water or excessive moisture to prevent short-circuiting.
- Only use the charger specified with the original item. **Do not charge the battery with any other charger.**
- Do not attempt to recharge non-rechargeable batteries with the original charger.
- **Do not replace the battery with any other battery, or the warranty will be voided.** If you need a replacement battery, see Page 23 for replacement information.
- Remove damaged batteries from the car immediately. Recycle or dispose of the used batteries responsibly.
- Do not short circuit the supply terminals.
- Do not leave the battery connected in the vehicle for extended periods of time when the vehicle is not being used. Disconnect the battery connector from the engine connector before storing.
- The vehicle is equipped with a thermal fuse to protect the electric circuit. If the vehicle cuts out, turn the vehicle off and on to reset.

22 General Care

- Regularly inspect all vehicle parts to ensure they are in good working condition.
- Regularly inspect the charger, cord, plug, and other related parts for damage.
- Remove any damaged parts and immediately contact Customer Service for replacement parts. See Service and Repairs on Page 23 for more information.
- DO NOT operate the vehicle if there are any damaged parts.
- Carefully clean the vehicle with a damp cloth and mild soap. Do not get water in or near any electrical parts. Do not wash the vehicle with a hose.
- Store the vehicle indoors or use a tarp to cover it. Keep away from stoves, heaters, or other sources of heat.

Troubleshooting Guide 23

Completely read through the manual and troubleshooting guide before contacting Customer Service.

Problem	Potential Cause	Solution
Vehicle does not run	Battery is low	Recharge the battery
	Snap pins are loose	Tighten snap pins
	Loose wires or loose connectors	Ensure the battery connectors are securely attached. If wires are loose, contact Customer Service for repairs
	Battery is dead	Call Customer Service for replacement battery
	Electrical system is damaged	Call Customer Service for repairs
	Motor is damaged	Call Customer Service for repairs
Vehicle only runs for a short time	Undercharged battery	Ensure a secure connection when the battery is recharging. Recharge for at least 8-12 hours
	Overcharged battery	Never charge the battery for more than 30 hours
	Battery is old	Replace battery
Vehicle runs slowly	Battery is not fully charged	Ensure a secure connection when the battery is recharging
	Battery is old	Call Customer Service to order replacement battery
	Too much weight on vehicle	Reduce weight on vehicle (35 kg/77 lbs max)
	Harsh conditions	Operate the vehicle on level ground and safe surfaces

Problem	Potential Cause	Solution
Vehicle needs a push to start	Loose wires or loose connectors	Ensure the battery connectors are securely attached. If wires are loose, contact Customer Service
	“Dead spot” on motor	A “dead spot” means electricity is not being delivered to the terminal. Contact Customer Service
Difficulty shifting	Attempting to shift while vehicle is moving	Stop the vehicle before shifting
Motor or gear box making grinding noises	Motor or gear damage	Contact Consumer Service for repairs
Battery will not recharge	Charger is not plugged in	Plug in the charger to a functional wall outlet
	Charger is not working	Call Customer Service for a replacement
	Loose connector or loose adapter	Check that the connectors are securely plugged in to each other
Battery makes bubbling noise while recharging	This is normal	No action required
Charger is warm	This is normal	No action required

This device complies with part 15 of the FCC Rules. Operation is subject to the following two conditions: (1) this device may not cause harmful interference, and (2) this device must accept any interference received, including interference that may cause undesired operation.

This equipment has been tested and found to comply with the limits for a Class B digital device, pursuant to Part 15 of the FCC Rules. These limits are designed to provide reasonable protection against harmful interference in a residential installation.

This equipment generates, uses and can radiate radio frequency energy and, if not installed and used in accordance with the instructions, may cause harmful interference to radio communications. However, there is no guarantee that interference will not occur in a particular installation. If this equipment does cause harmful interference to radio or television reception, which can be determined by turning the equipment off and on, the user is encouraged to try to correct the interference by one or more of the following measures:

- Reorient or relocate the receiving antenna.
- Increase the distance between the equipment and the receiver.
- Consult dealer or an experienced radio/TV technician for help.
- Connect the equipment into an outlet on a circuit different from that to which the receiver is connected.
- Check the state or local requirements for the product before using the product.

Caution: Changes or modifications not expressly approved by the party responsible for compliance could void the user's authority to operate the equipment.

Service and Repairs

Do not return this vehicle to the store.

If your product requires service, repairs or replacement parts, please contact Rollplay Customer Service.

Hours: 9 AM - 5 PM (CST), Monday - Friday

Phone: 1-888-982-9309

Email: customerservice@rollplay.com

Web: www.rollplay.com

For a list of available replacement parts, please visit www.rollplay.com

WE WILL REQUIRE PROOF OF PURCHASE. Please save your sales receipt or register your product at www.rollplay.com.

Rollplay 6-Volt Limited Warranty

- One-year limited warranty from the date of purchase with proof of purchase from a Rollplay certified retailer.
- Six month limited warranty on the 6-Volt battery with proof of purchase from a Rollplay certified retailer.
- This one-year limited warranty covers the ride-on vehicle against defects in materials and workmanship to the original purchaser. **Proof of purchase receipt from a Rollplay certified reseller is required.**
- Rollplay ensures the original 6-Volt battery is warranted for 6 months from initial purchase of the vehicle from a certified retailer. Proof of purchase receipt required.
- This warranty covers normal use and does not cover the Rollplay vehicle or battery if deemed damaged by unreasonable use, modification, neglect, accident, abuse, misuse, improper service or other causes not arising out of defects in materials or workmanship. Evidence of any attempt at consumer repair will void this warranty.
- This warranty does not cover, and is not intended to exclude any liability on the part of Rollplay, whether under this warranty or implied by law for any indirect or consequential damages for breach of warranty. Some states may not allow the exclusion or limitation so this limitation may not apply to you.

Should you need service or assistance with your vehicle during the warranty period:

- Please do not return vehicle to the store.
- Consult the troubleshooting guide in this manual and online at www.rollplay.com or
- Call Rollplay Customer Service at 1-888-982-9309

Note: This warranty gives you specific legal rights. You may also have other rights that may vary from state to state.

Please save your original sales receipt.

28 Product Registration

Fill out the form below and mail it to:

Rollplay Products
1131 W Blackhawk St.
Second Floor
Chicago, IL 60642

OR fill out the form online at www.rollplay.com

We will use the information provided only for your warranty. We will not sell, rent or share your personal information.



Product Registration

First Name: _____ Last Name: _____ Title: _____

Address: _____

City: _____ State: _____ Zip Code: _____

Email: _____ Phone: _____

Date of Purchase: _____

The following product information is on the cover of the owner's manual.

Product Name: _____ Model Number: _____

Serial Number: _____ Retailer Place of Purchase: _____

Questions or comments? Contact us at www.rollplay.com or 1-888-982-9309