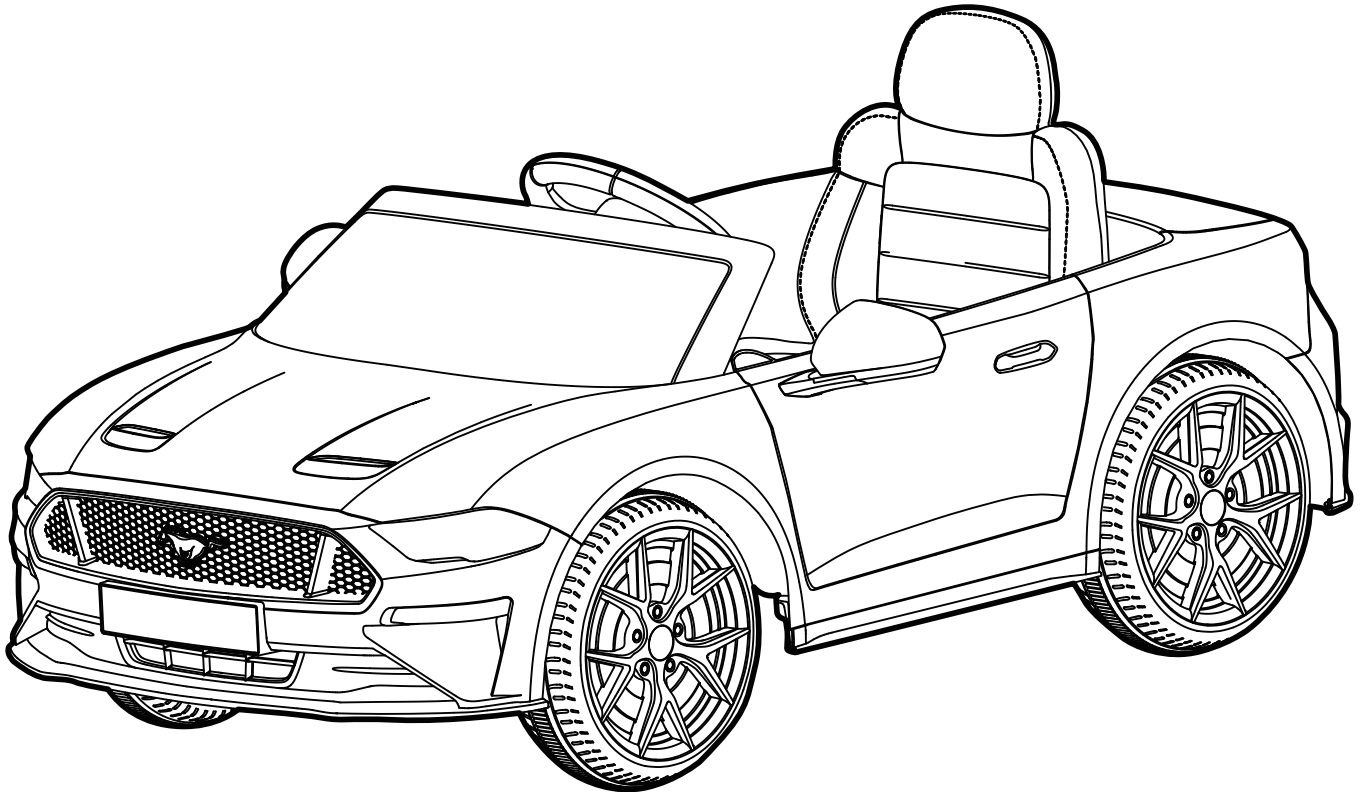




6V Mustang GT



Owner's Manual and Assembly Instructions

Model #: W441, W441AC-A01, W441AC-A02, W441AC-A03

Read and understand the entire manual before assembly and operation. The vehicle must be assembled by an adult who has read and understands the instructions.

Made in China.

Styles and colors may vary. Do not return to store. Email customerservice@rollplay.com for assistance and replacement parts.

IMPORTANT:

Save this manual with your sales receipt.

Introduction

Thank you for purchasing this Rollplay vehicle. We hope the rider enjoys it for miles to come. Please read this instruction guide carefully before assembling and operating the vehicle.

Keep your sales receipt or register your product at www.rollplay.com.

Please contact Rollplay Customer Service with any questions. Have your model number and serial number ready before calling. Please have proof of purchase.

Hours: 9 AM - 5 PM (CST), Monday - Friday

Phone: 1-888-982-9309

Email: customerservice@rollplay.com

Web: www.rollplay.com

Specifications:

| | |
|------------------|--|
| BATTERY | 6V 7AH |
| MOTOR | 6V 15W |
| AGE | 3 and up |
| MAX WEIGHT | 35 kg (77 lbs) |
| PRODUCT SIZE | 118.0 x 62.0 x 51.5 cm (46.3 x 24.4 x 21.0 in) |
| SPEED | 4 km/h (2.5 mph) |
| RECHARGE TIME | 8-12 Hours |
| TYPICAL RUN TIME | 1-2 Hours |
| CHARGER OUTPUT | DC 7.0V |

IMPORTANT!

YOU MUST CHARGE THE BATTERY FOR 24 HOURS BEFORE FIRST USE!

Charge the battery after each use.

Charge the battery at least once a month, even if the vehicle is not in use.

BEFORE RETURNING YOUR PRODUCT TO THE STORE, CONTACT ROLLPLAY WITH QUESTIONS.

E-mail Customer Service if you need assistance or replacement parts. Please have your model number and serial number ready before calling. Please have proof of purchase. Keep your sales receipt or register your product at www.rollplay.com as we may require proof of purchase.

customerservice@rollplay.com

Read this entire manual to ensure proper assembly and safe operation of the vehicle.

4 Table of Contents

| | |
|--|----|
| Safety | 5 |
| Parts | 7 |
| Charging Instructions | 8 |
| Assemble the Front Wheels | 9 |
| Assemble the Left Rear Wheel | 10 |
| Assemble the Right Rear Wheel | 11 |
| Attach the Steering Wheel | 12 |
| Assemble the Windshield | 13 |
| Attach the Mirrors | 14 |
| Assemble the Seat | 15 |
| Open the Door | 16 |
| Product Features | 17 |
| Battery Maintenance | 18 |
| General Care | 19 |
| Troubleshooting Guide | 20 |
| FCC Information | 22 |
| Service and Repairs | 23 |
| Warranty | 24 |
| Product Registration | 25 |



WARNING: SAFETY RIDING RULES

The user must follow all safety rules and guidelines, or serious injury or death may occur to the user.

- Always use common sense and safe practices when using the vehicle. The user must be at least 3 years old and weigh no more than 35 kg (77 lbs).
- This product contains small parts that are for adult assembly only. Keep small children away when assembling. Remove and dispose of all protective material and plastic bags before assembly.
- Riders must always wear a fitted helmet that complies with U.S. Consumer Product Safety Commission (CPSC) Standard 16 CFR 1203.
- Only sit on the seat in the vehicle.
- Do not allow more than one rider.
- Do not overload the vehicle. Do not remove the weight restriction decals.
- Do not pull the vehicle with another vehicle or similar device.
- Keep body parts such as hands, legs, hair and clothing away from moving parts. Moving parts can cause serious injury.
- Always wear shoes in the vehicle.
- Do not operate near streets or motor vehicles.
- Do not operate near drop-offs such as steps, steep inclines or hills. Operate on relatively level ground.
- Do not operate near water, swimming pools or other fluids.
- Do not operate in dangerous weather conditions such as rain or snow.
- Do not operate near loose dirt, mud, sand or fine gravel.
- Do not operate near flammable vapors (gasoline, paint thinner, acetone, etc.).
- Always use the vehicle in a safe, secure environment with adult supervision.

PREVENT INJURIES AND DEATHS:

NEVER LEAVE CHILD UNATTENDED. ALWAYS keep child in view when child is in vehicle. Direct adult supervision is **REQUIRED**.

NEVER use in roadways, near cars, on or near steep inclines or steps, swimming pools or other bodies of water.

ALWAYS wear shoes. **ALWAYS** sit on the seat. **RISK OF FIRE**. Do not bypass. Remove batteries if product is to be left unused for a long time; Always replace the whole set of batteries at one time, taking care not to mix old and new ones, or batteries of different types.

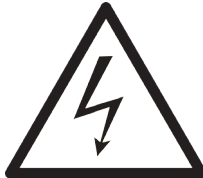


WARNING: BATTERY SAFETY

- Battery posts, terminals and related accessories contain lead and lead components. **DO NOT** open the battery.



- Contact exposure to battery leakage (lead acid) may cause serious injury. Immediately contact your doctor if exposure occurs. If the chemical is on the skin, flush immediately with cool water for 15 minutes. If the chemical is swallowed, immediately give the person water or milk. Do not give water or milk if the person is vomiting or has decreased alertness. Do not induce vomiting.



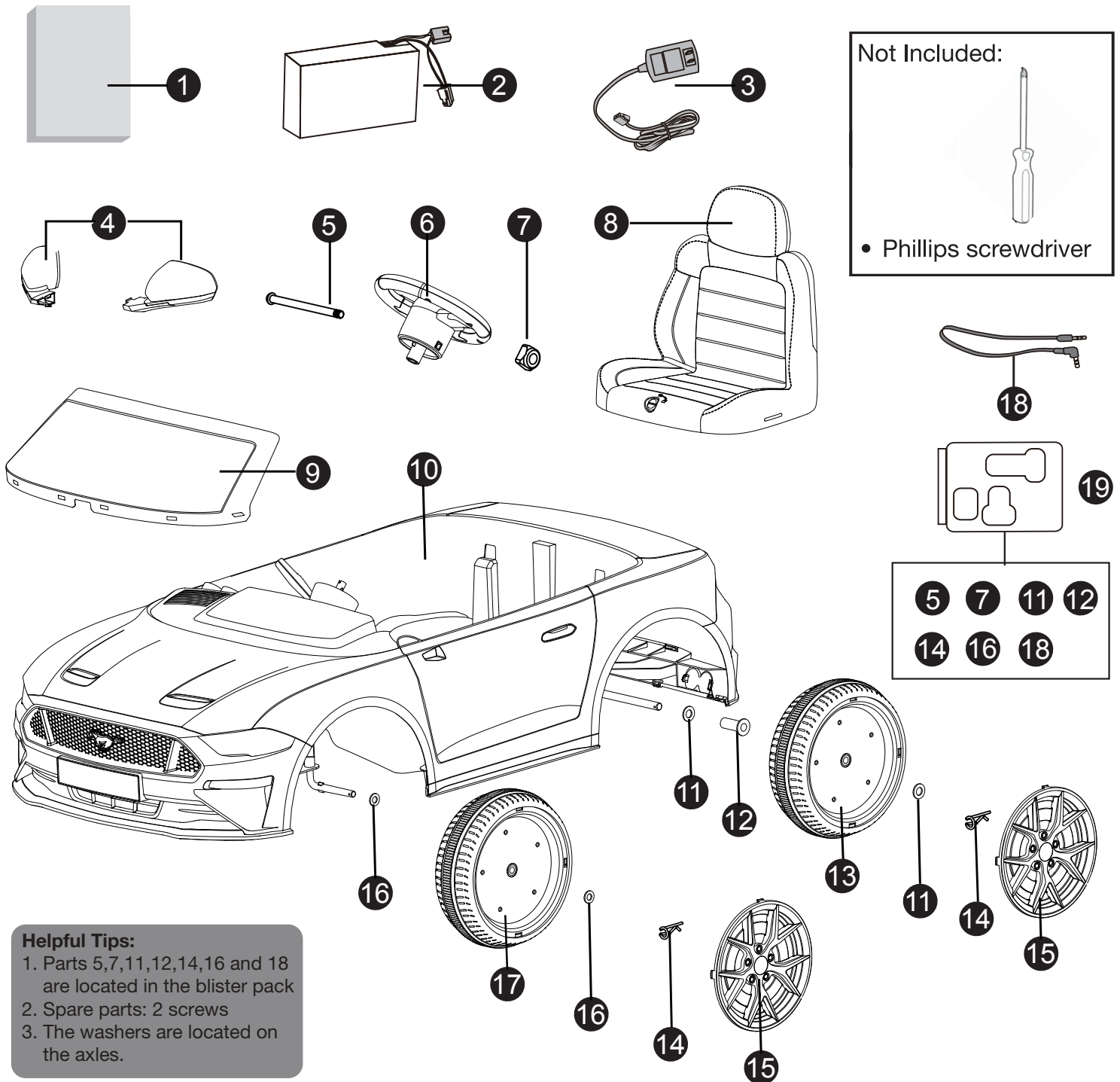
- Tampering with or modifying the electric circuit system may cause shock, fire or explosion. It could permanently damage the system. Keep the charger housing closed to prevent exposed wiring, which may cause electric shock.

IMPORTANT: Before using the vehicle for the first time, the battery must be charged for a full 24 hours (no more than 30 hours).




WARNING: ADULT SUPERVISION REQUIRED

- Before using the vehicle, the rider must understand the vehicle controls and safety issues.
- It is the responsibility of the adult to educate the child and to determine if the child is capable of understanding the vehicle controls.
- An adult must **ALWAYS** directly supervise the use of this vehicle.
- **NEVER** leave a child unsupervised in the vehicle.



Not Included:



- Phillips screwdriver

Helpful Tips:
 1. Parts 5,7,11,12,14,16 and 18 are located in the blister pack
 2. Spare parts: 2 screws
 3. The washers are located on the axles.

- | | | |
|--|------------------------|-----------------------|
| 1. Manual | 7. Steering Wheel Nut | 14. Snap pins (6) |
| 2. Battery (Located in the seat compartment) | 8. Seat | 15. Wheel Covers (4) |
| 3. Charger | 9. Windshield | 16. Small Washers (5) |
| 4. Side Mirrors (L and R) | 10. Car Body | 17. Front Wheels (2) |
| 5. Steering Wheel Screw | 11. Large Washers (4) | 18. MP3 Cable |
| 6. Steering Wheel | 12. Inner Wheel Spacer | 19. Blister Pack |
| | 13. Rear Wheels (2) | |

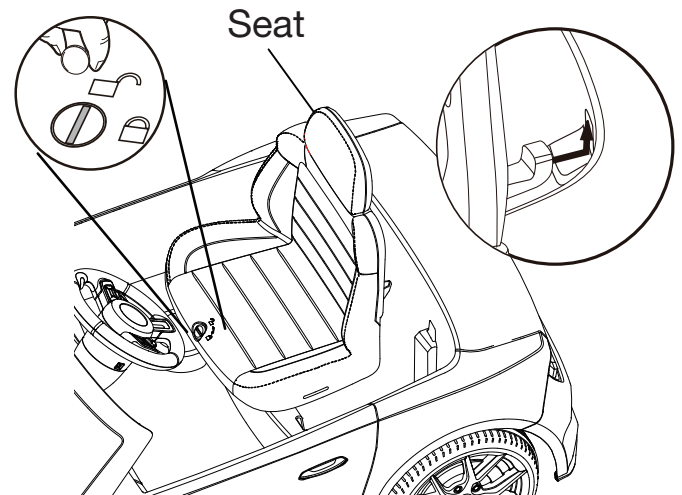
8 Charging Instructions

YOU MUST CHARGE THE BATTERY FOR 24 HOURS BEFORE THE FIRST USE!

ONLY AN ADULT SHOULD HANDLE THE BATTERY AND CHARGER.

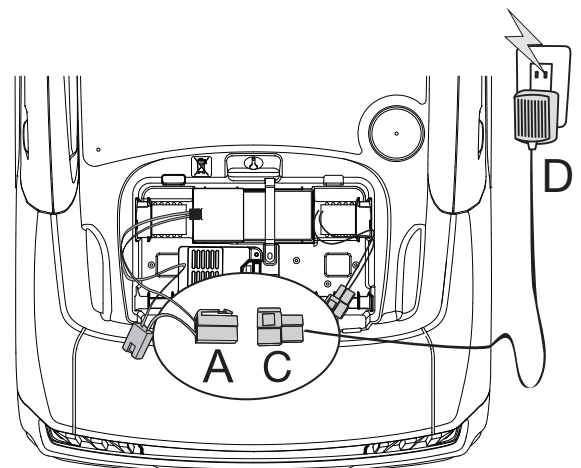
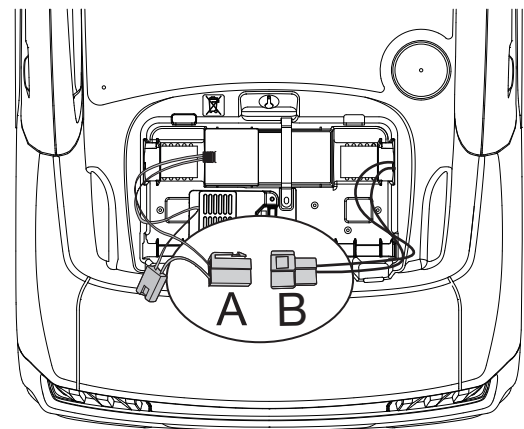
To Charge the Battery:

1. Ensure the car is stopped and the power switch is turned off.
2. Using a coin or screwdriver turn the seat lock to unlock and remove the seat.
3. Unplug the red battery connector (A) from the red engine connector (B).
4. Connect the red battery connector (A) to the red battery charger connector (C) and plug (D) into a 120 V outlet.



To Reconnect the Battery:

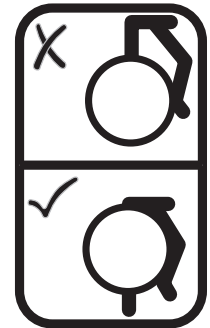
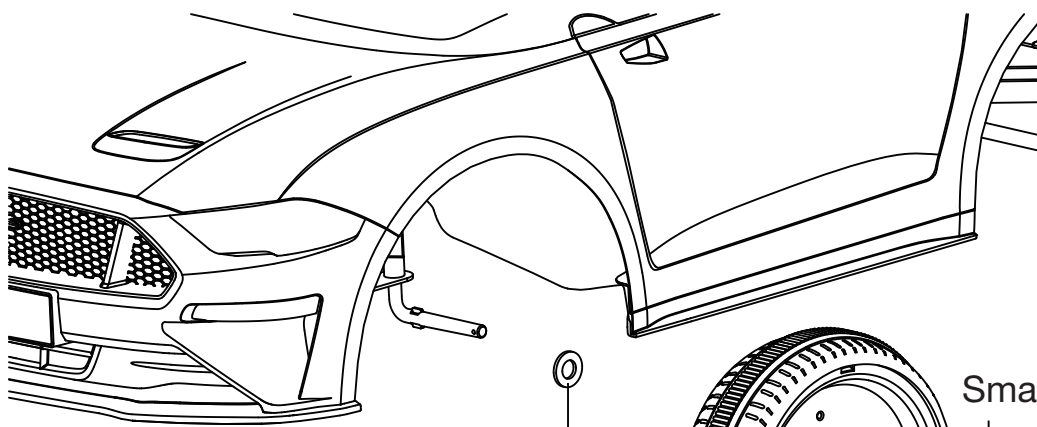
1. Unplug the battery charger (D) from the outlet.
2. Unplug the red battery connector (A).
3. Reconnect the red battery connector (A) to the red engine connector (B).
4. Replace the seat and tighten lock.



Note: It is not necessary to remove the battery for charging. However, if the battery does not reach the outlet, it can be removed for charging.

To remove the battery, unscrew the black battery clamp, disconnect the battery, and remove the battery.

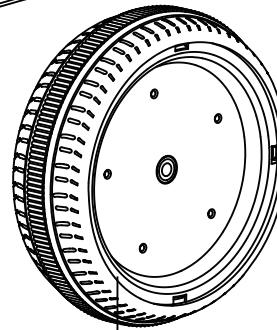
Correct Snap
Pin Installation



Helpful Tips:

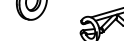
1. The side of the wheel with rectangular tabs should face outward and the side marked "Front Wheel" faces inwards.

Small washer

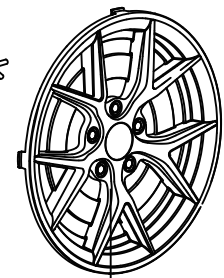


Front wheel

Small washer



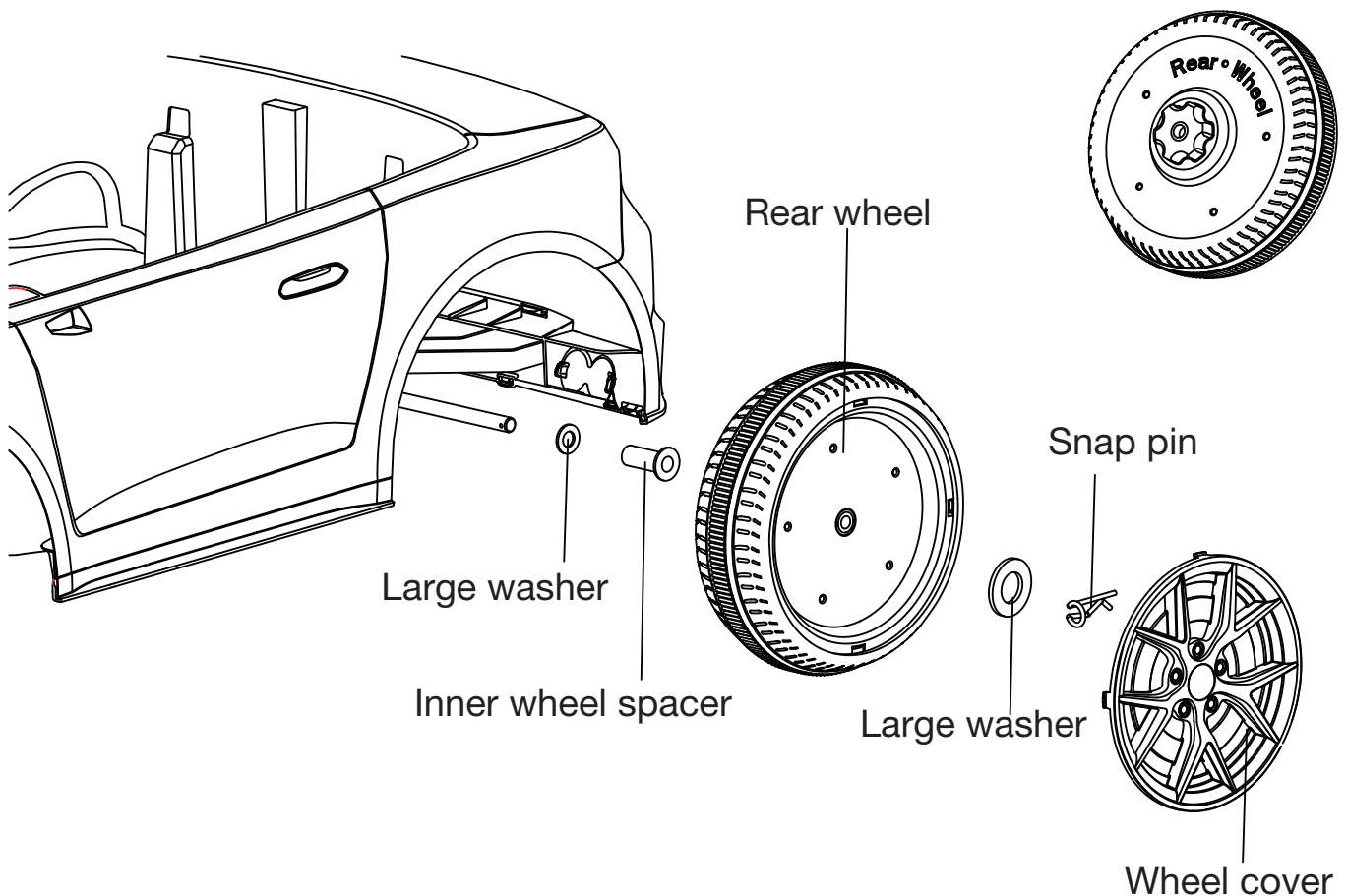
Snap pin



Wheel cover

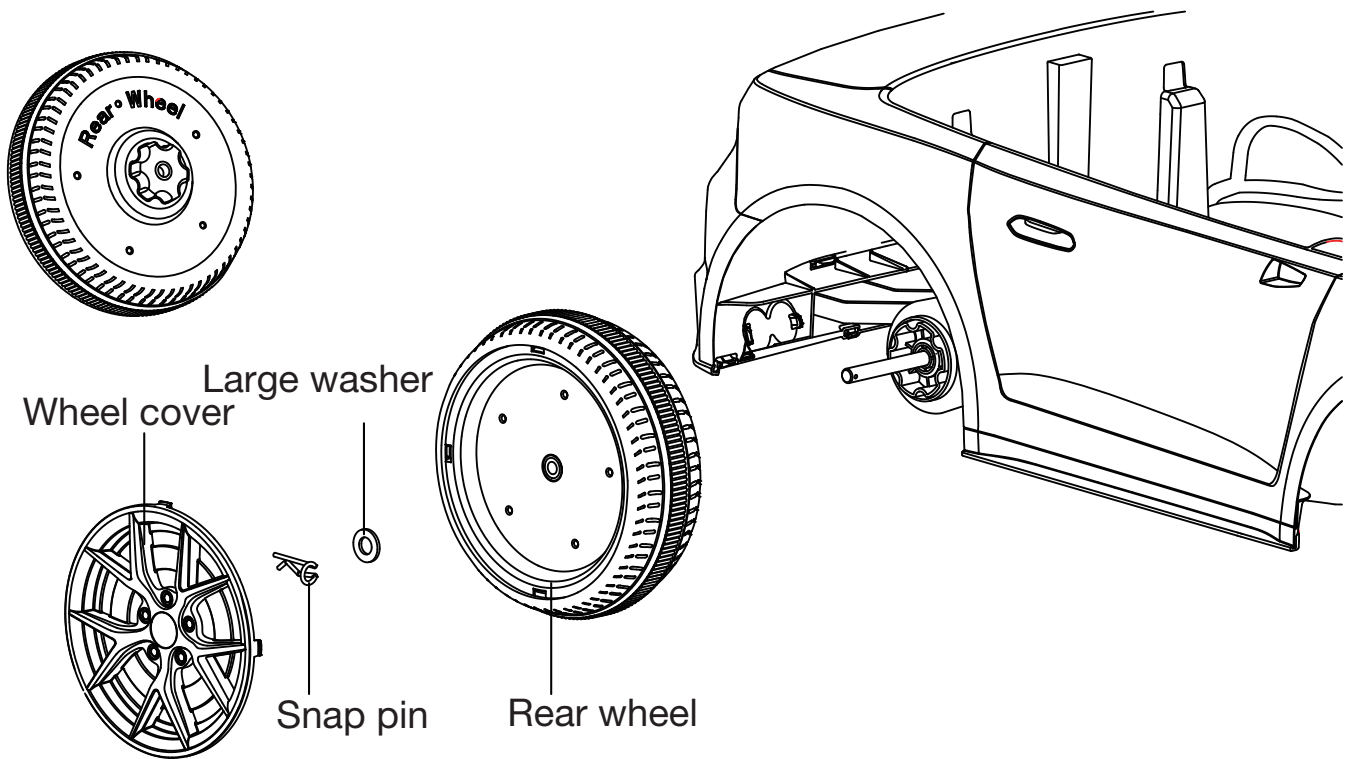
Front Wheels:

1. Slide one small washer onto the front axle.
2. Slide the front wheel onto the front axle.
3. Slide the other small washer onto the front axle.
4. Insert the straight end of the snap pin through the hole at the end of the axle to keep the wheel in place.
5. Snap the wheel cover on the wheel to complete the assembly.
6. Repeat steps 1-5 for the other front wheel.



Left Rear Wheel:

1. Slide the large washer onto the rear axle.
2. Slide the inner wheel spacer onto the axle.
3. Slide the left rear wheel onto the left rear axle. The side with the gear teeth faces inward.
4. Slide the large washer onto the rear axle.
5. Insert the straight side of the snap pin through the hole at the end of the axle to keep the wheel in place.
6. Finally snap the wheel cover onto the wheel to complete the assembly.



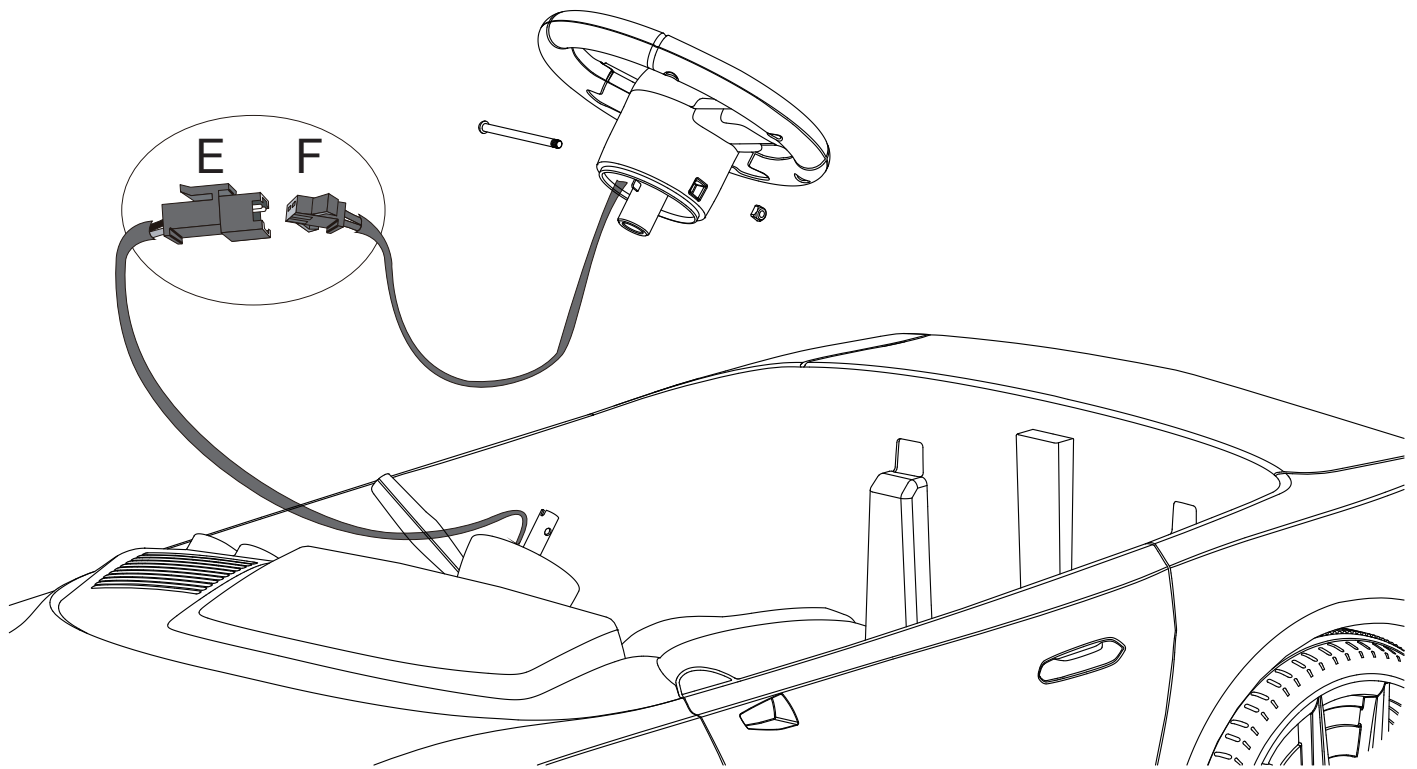
Right Rear Wheel:

1. Slide the right rear wheel onto right rear wheel axle. The side with gear teeth faces inward. (Note: the gear teeth must engage with the gear box.)
2. Slide the large washer onto the rear axle.
3. Insert the straight side of the snap pin through the hole at the end of the axle to keep the wheel in place.
4. Finally snap the wheel cover onto the rear wheel to complete wheel assembly.

Helpful Tip:

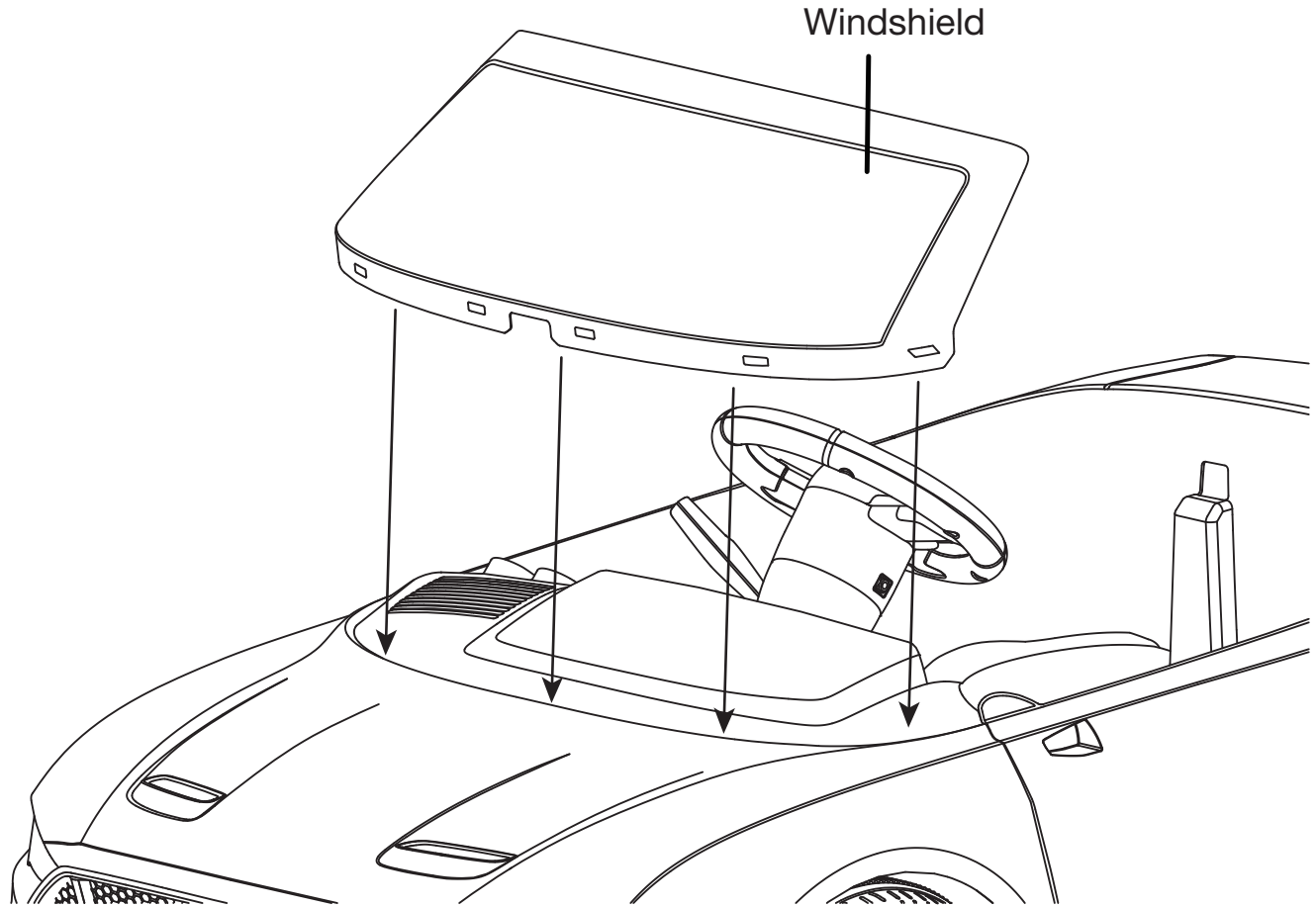
1. If you encounter trouble fitting both wheels onto the rear axle, then your rear wheel axle may need to be realigned.
2. Remove both wheels from the rear wheel axle. Using two hands, push down on the rear wheel axle and slide it gently toward the side of the vehicle that needs more room.
3. Once the rear axle is properly centered, refer to the above steps to assemble the wheels.

12 Attach the Steering Wheel



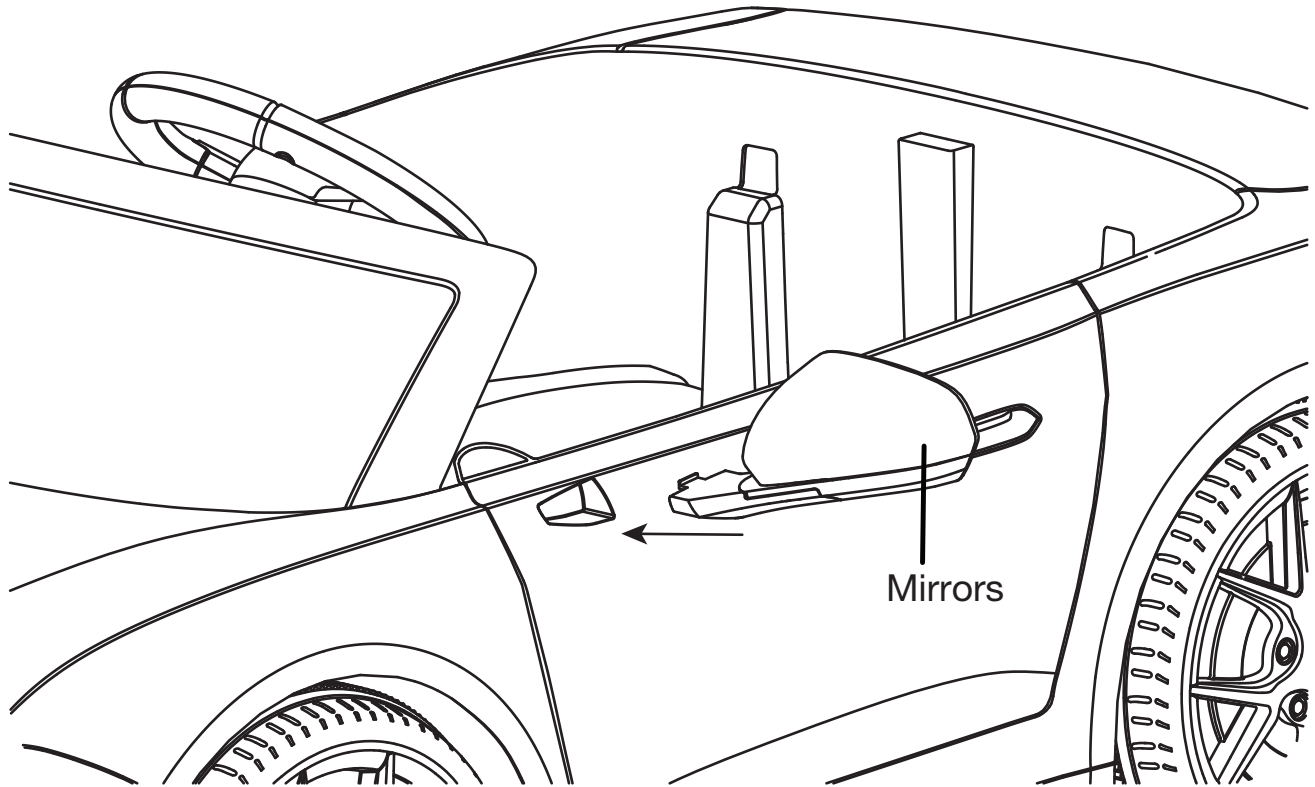
1. Locate the steering wheel screw and nut from blister box.
2. Plug the steering wheel connector (F) into the dashboard connector (E).
3. Carefully slide wires into dashboard to avoid damage. Insert the steering wheel onto the steering rod, and align the holes on the wheel with the holes on the rod. If you are having trouble aligning the holes, check to make sure the steering rod is all the way up.
4. Insert the screw into the hole and fasten the nut to secure.

Assemble the Windshield 13

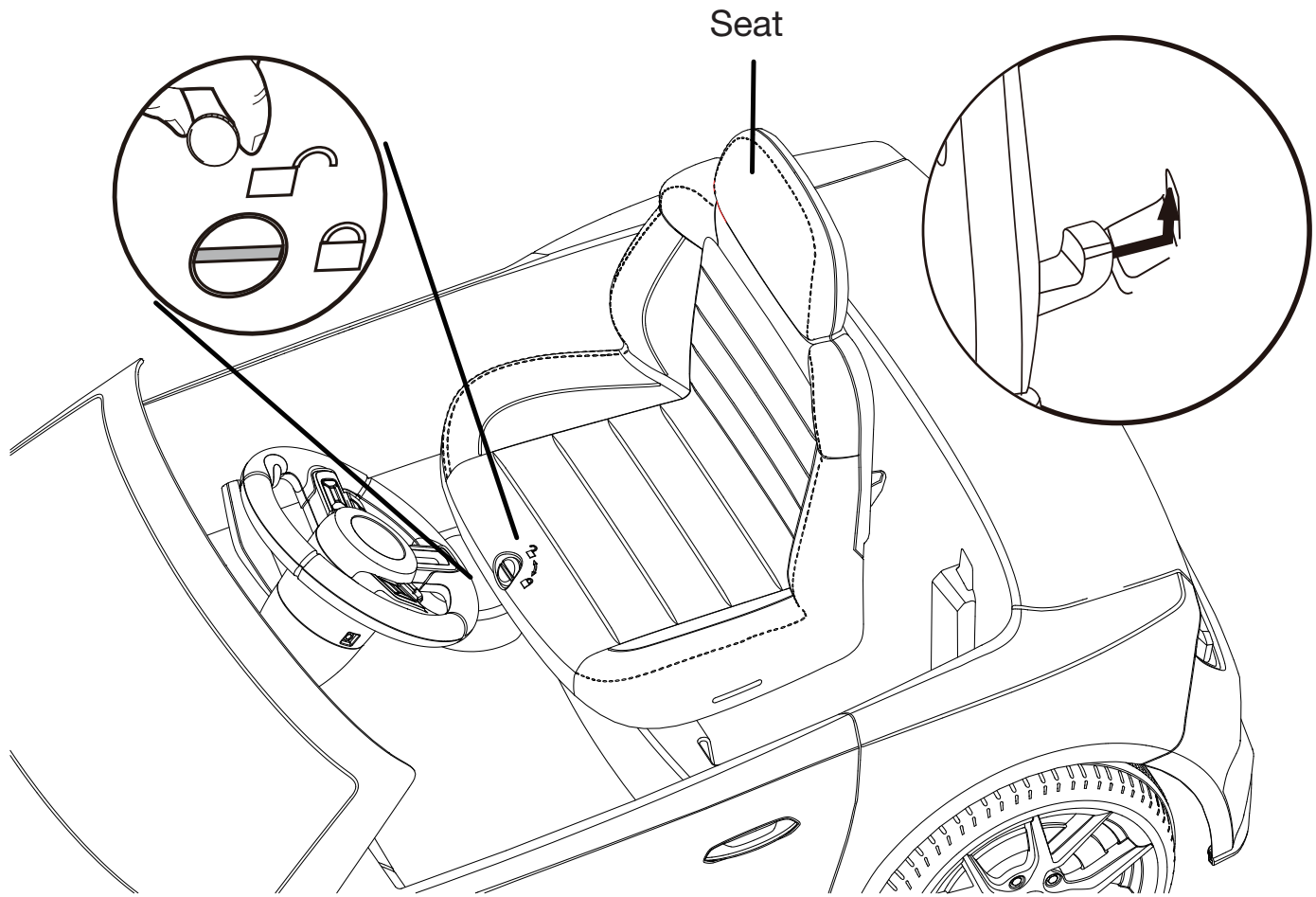


1. Align the windshield with the slots between the dashboard and the body.
2. Push lightly on the windshield until it snaps into place.

14 Attach the Mirrors

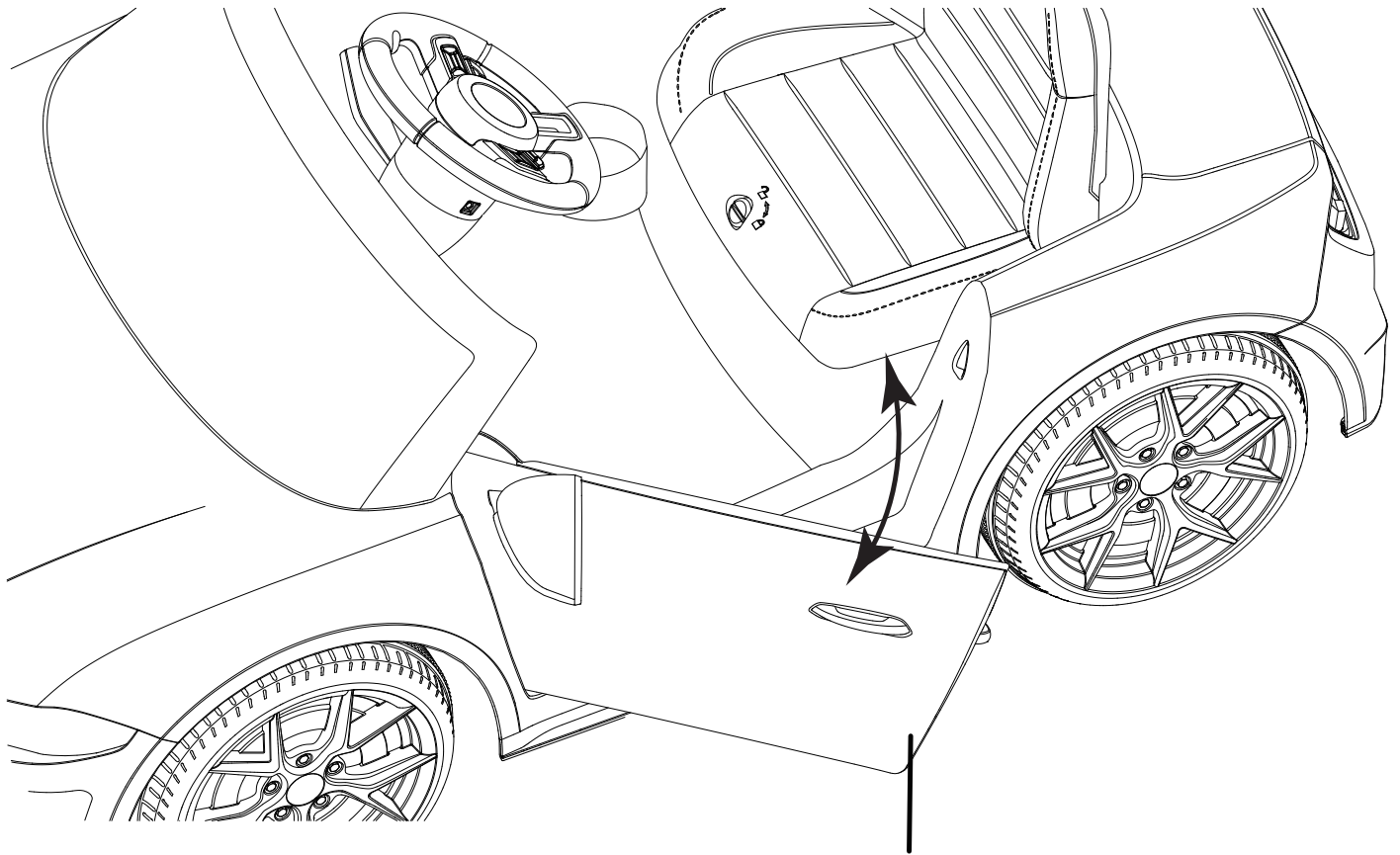


1. Insert the left mirror into the slot on the left door near the windshield.
2. Push down on the mirror until it snaps into place.
3. Repeat steps 1-2 for the right mirror.



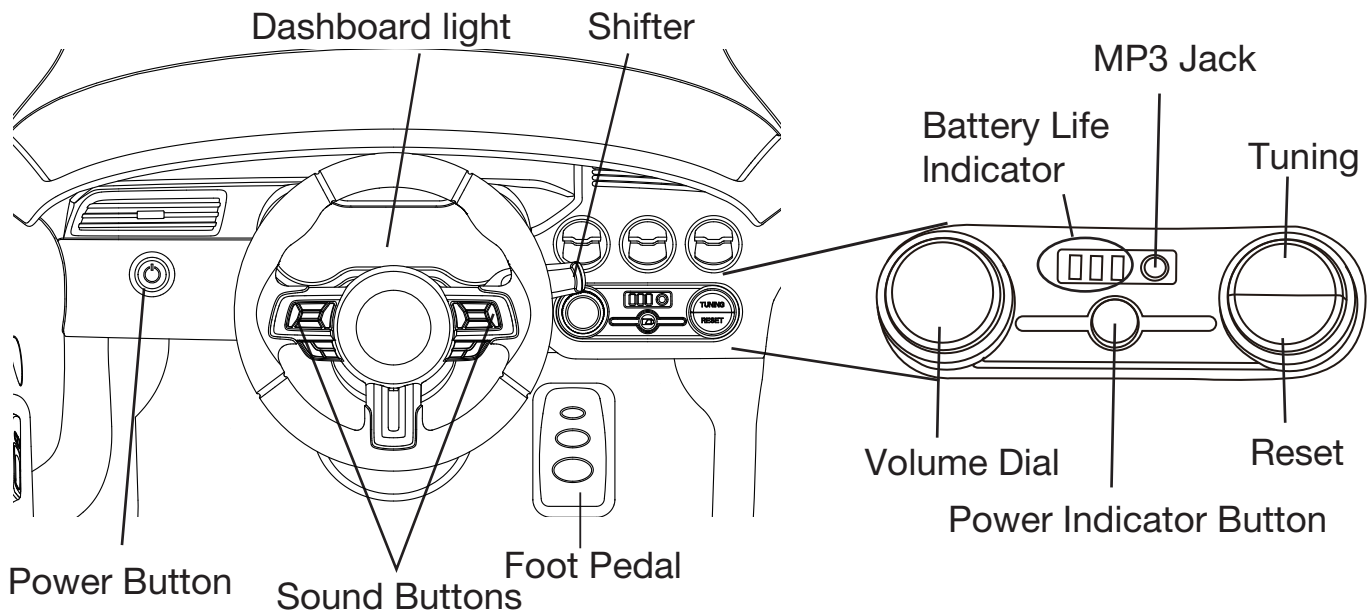
1. Position the seat over the battery compartment.
2. Slide in the latches on the back of the seat into the slots on the body of the car.
3. Use a coin or screwdriver to turn the seat lock clockwise to lock the seat.

16 Open the Door



Left Door

Push the driver's side door out to open it. The passenger side door does not open.



Power Button

Push the power button to turn on the car. The dashboard light will turn on when the car is on. Press the power button again to turn off the car.

Shifter

Pull the shifter up to move forward. Push the shifter down to go in reverse.

Foot-Pedal Accelerator

Press the foot pedal down to go. Release the foot pedal to stop.

Steering Wheel Buttons

Press the left and right steering wheel buttons for horn and engine sounds.

MP3 Jack

Insert the MP3 cable into the MP3 jack and connect the cable to your device. Turn on the MP3 by turning the volume dial until you hear a click. To adjust the volume, turn the volume dial.

Radio

Press the tuning button to find a station. Press the reset button to reset the radio.

Battery Life Indicator

Press the battery life indicator button to check the battery level. The number of lights displayed indicate how much battery is left:

- Three lights: Battery is fully charged.
- Two lights: Battery power is low.
- One light: Battery power is lower than 5.5V and the battery must be recharged. power is lower than 5.5V, and the battery must be recharged.

18 Battery Maintenance

Important Battery and Charger Information

- Only an adult who has read and understands the safety warnings may handle and operate the battery and battery charger. Keep away from children.
- Charge the battery for 24 hours before using the vehicle for the first time.
- Recharge the battery immediately after each use. Charge for at least 8-12 hours, but no more than 20 hours.
- Charge the battery at least once a month, even if the vehicle is not used or stored.
- Never leave the battery in a discharged condition.
- Connect the terminal of the battery and charger, then plug the charger into a 120V AC outlet.
- It is normal for the charger to heat slightly. If the charger rises above 71°C / 160°F, disconnect the charger and call Customer Service for assistance.
- Keep the charger away from water or excessive moisture to prevent short-circuiting.
- Only use the charger specified with the original item. **Do not charge the battery with any other charger.**
- Do not attempt to recharge non-rechargeable batteries with the original charger.
- **Do not replace the battery with any other battery, or the warranty will be voided.** If you need a replacement battery, see Page 23 for replacement information.
- Remove damaged batteries from the car immediately. Recycle or dispose of the used batteries responsibly.
- Do not short circuit the supply terminals.
- Do not leave the battery connected in the vehicle for extended periods of time when the vehicle is not being used. Disconnect the battery connector from the engine connector before storing.
- The vehicle is equipped with a thermal fuse to protect the electric circuit. If the vehicle cuts out, turn the vehicle off and on to reset.

- Regularly inspect all vehicle parts to ensure they are in good working condition.
- Regularly inspect the charger, cord, plug, and other related parts for damage.
- Remove any damaged parts and immediately contact Customer Service for replacement parts. See Service and Repairs on Page 23 for more information.
- DO NOT operate the vehicle if there are any damaged parts.
- Carefully clean the vehicle with a damp cloth and mild soap. Do not get water in or near any electrical parts. Do not wash the vehicle with a hose.
- Store the vehicle indoors or use a tarp to cover it. Keep away from stoves, heaters, or other sources of heat.

20 Troubleshooting Guide

Completely read through the manual and troubleshooting guide before contacting Customer Service.

| Problem | Potential Cause | Solution |
|------------------------------------|---------------------------------|---|
| Vehicle does not run | Battery is low | Recharge the battery |
| | Thermal fuse tripped | Reset fuse |
| | Snap pins are loose | Tighten snap pins |
| | Loose wires or loose connectors | Ensure the battery connectors are securely attached. If wires are loose, contact Customer Service |
| | Battery is dead | Call Customer Service for replacement battery |
| | Electrical system is damaged | Call Customer Service |
| | Motor is damaged | Call Customer Service |
| Vehicle only runs for a short time | Undercharged battery | Ensure a secure connection when the battery is recharging. Recharge for at least 8-12 hours |
| | Overcharged battery | Never charge the battery for more than 30 hours |
| | Battery is old | Replace battery |
| Vehicle runs slowly | Battery is not fully charged | Ensure a secure connection when the battery is recharging |
| | Battery is old | Call Customer Service to order replacement battery |
| | Too much weight on vehicle | Reduce weight on vehicle (35 kg / 77lb max) |
| | Harsh conditions | Operate the vehicle on level ground and safe surfaces |

| Problem | Potential Cause | Solution |
|---|---|---|
| Vehicle needs a push to start | Loose wires or loose connectors | Ensure the battery connectors are securely attached. If wires are loose, contact Customer Service |
| | “Dead spot” on motor | A “dead spot” means electricity is not being delivered to the terminal. Contact Customer Service |
| Difficulty shifting | Attempting to shift while vehicle is moving | Stop the vehicle before shifting |
| Motor or gear box making grinding noises | Motor or gear damage | Contact Customer Service |
| Battery will not recharge | Charger is not plugged in | Plug in the charger to a functional wall outlet |
| | Charger is not working | Call Customer Service for a replacement |
| | Loose connector or loose adapter | Check that the connectors are securely plugged in to each other |
| Battery makes bubbling noise while recharging | This is normal | No action required |
| Charger is warm | This is normal | No action required |

22 **FCC Information**

This device complies with part 15 of the FCC Rules. Operation is subject to the following two conditions: (1) this device may not cause harmful interference, and (2) this device must accept any interference received, including interference that may cause undesired operation.

This equipment has been tested and found to comply with the limits for a Class B digital device, pursuant to Part 15 of the FCC Rules. These limits are designed to provide reasonable protection against harmful interference in a residential installation.

This equipment generates, uses and can radiate radio frequency energy and, if not installed and used in accordance with the instructions, may cause harmful interference to radio communications. However, there is no guarantee that interference will not occur in a particular installation. If this equipment does cause harmful interference to radio or television reception, which can be determined by turning the equipment off and on, the user is encouraged to try to correct the interference by one or more of the following measures:

- Reorient or relocate the receiving antenna.
- Increase the distance between the equipment and the receiver.
- Consult dealer or an experienced radio/TV technician for help.
- Connect the equipment into an outlet on a circuit different from that to which the receiver is connected.
- Check the state or local requirements for the product before using the product.

Caution: Changes or modifications not expressly approved by the party responsible for compliance could void the user's authority to operate the equipment.

Before returning your product to the store, contact Rollplay with questions.

If your product requires service, repairs or replacement parts, please contact Rollplay Customer Service.

Hours: 9 AM - 5 PM (CST), Monday - Friday

Phone: 1-888-982-9309

Email: customerservice@rollplay.com

Web: www.rollplay.com

For a list of available replacement parts, please visit www.rollplay.com.

WE WILL REQUIRE PROOF OF PURCHASE. Please save your sales receipt or register your product at www.rollplay.com.

Rollplay 6-Volt Limited Warranty

- One-year limited warranty from the date of purchase with proof of purchase from a Rollplay certified retailer.
- Six month limited warranty on the 6-Volt battery with proof of purchase from a Rollplay certified retailer.
- This one-year limited warranty covers the ride-on vehicle against defects in materials and workmanship to the original purchaser. **Proof of purchase receipt from a Rollplay certified reseller is required.**
- Rollplay ensures the original 6-Volt battery is warranted for 6 months from initial purchase of the vehicle from a certified retailer. Proof of purchase receipt required.
- This warranty covers normal use and does not cover the Rollplay vehicle or battery if deemed damaged by unreasonable use, modification, neglect, accident, abuse, misuse, improper service or other causes not arising out of defects in materials or workmanship. Evidence of any attempt at Customer repair will void this warranty.
- This warranty does not cover, and is not intended to exclude any liability on the part of Rollplay, whether under this warranty or implied by law for any indirect or consequential damages for breach of warranty. Some states may not allow the exclusion or limitation so this limitation may not apply to you.

Should you need service or assistance with your vehicle during the warranty period:

- Please do not return vehicle to the store.
 - Consult the troubleshooting guide in this manual and online at www.rollplay.com
- or
- Call Rollplay Customer Service at 1-888-982-9309

Note: This warranty gives you specific legal rights. You may also have other rights that may vary from state to state.

Please save your original sales receipt.

Fill out the form below and mail it to:

Rollplay Products
1131 W. Blackhawk St.
Second Floor
Chicago, IL 60642

OR fill out the form online at **www.rollplay.com**

We will use the information provided only for your warranty. We will not sell, rent or share your personal information.

Product Registration

First Name: _____ Last Name: _____ Title: _____

Address: _____

City: _____ State: _____ Zip Code: _____

Email: _____ Phone: _____

Date of Purchase: _____

The following product information is on the cover of the owner's manual.

Product Name: _____ Model Number: _____

Serial Number: _____ Retailer Place of Purchase: _____

